

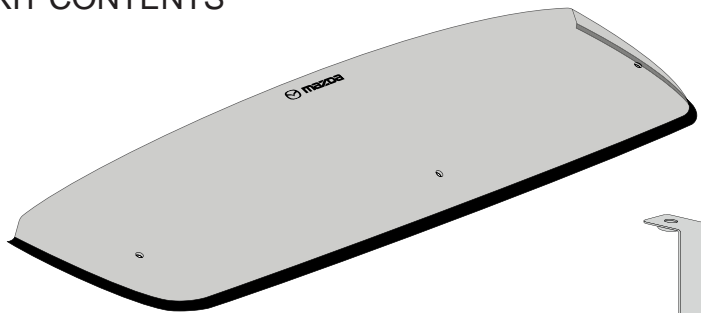


MOONROOF WIND DEFLECTOR INSTALLATION INSTRUCTIONS

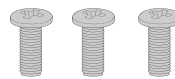
APPLICABLE MODEL: 2016> Mazda CX-9

PART NUMBER: 0000-8P-N05

KIT CONTENTS



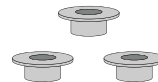
Moonroof Wind Deflector x1



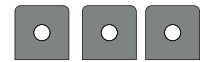
Screws x3



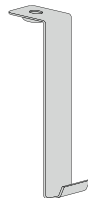
Abrasive Resistant Tape x3



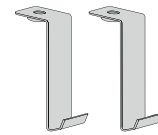
Washers x3



Metal Clip Pads x3



Center Metal Clip x1



Outer Clips x2

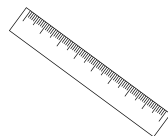


Alcohol Prep Pad x1

TOOLS REQUIRED



Non-Permanent Marker or Pencil



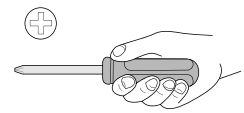
Ruler



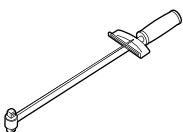
Soap & Water



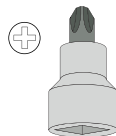
Clean Dry Cloth



#2 Phillips Screwdriver



Torque Wrench



#2 Phillips Socket



Masking Tape

BEFORE INSTALLATION

CAUTION: Beware of any sharp edges on vehicle, or potential interferences with any roof rack attachments such as skis, canoes, etc.

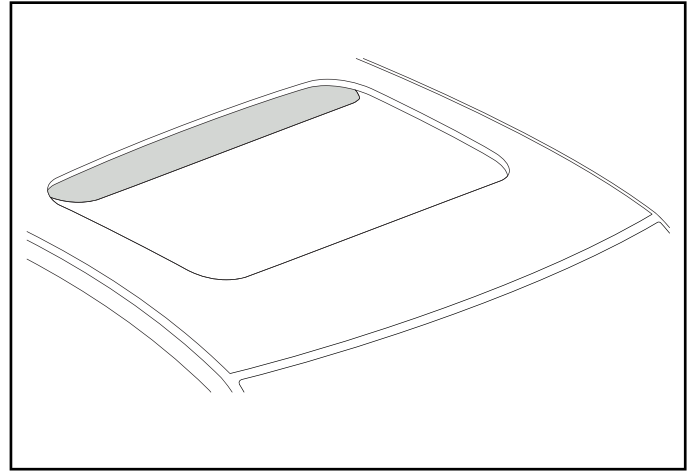
1. Read entire Installation Instructions, before beginning.
2. Clean the area around the moonroof opening prior to installation using a mixture of 50/50 isopropyl alcohol and water.

CLEANING INSTRUCTIONS

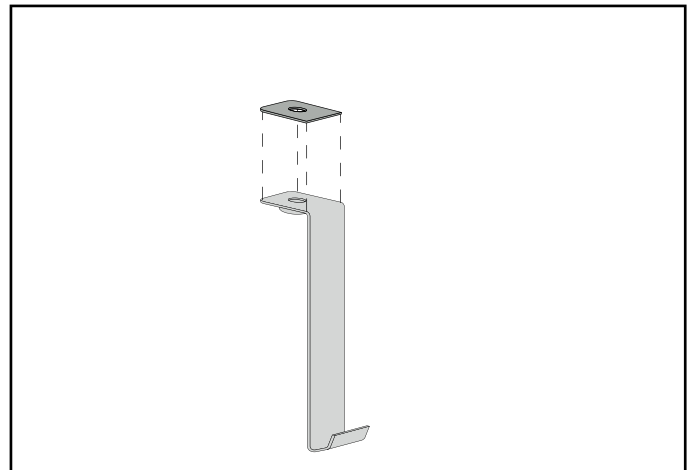
USE OF AUTOMATIC CAR WASH WITH THIS ACCESSORY INSTALLED IS NOT RECOMMENDED

Spray with a firm water spray to remove any loose dirt, then wash with water, detergent and a soft cloth or sponge. **DO NOT** use petroleum based solvents or abrasives.

1. Thoroughly clean and dry the area surrounding the moonroof opening and then open the moonroof.

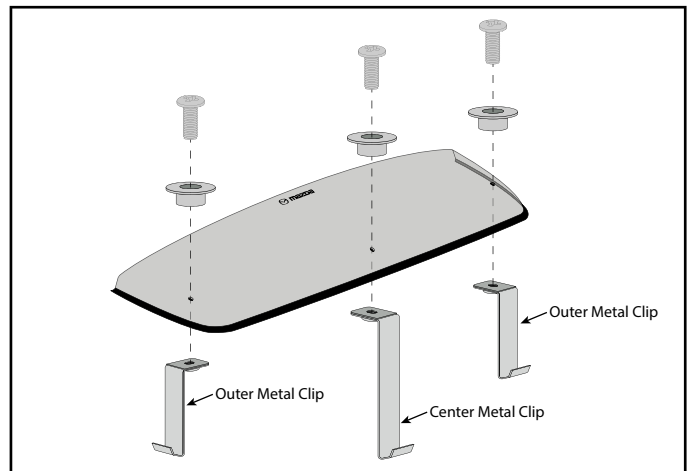


2. Remove the backing tape from the three metal clip pads and adhere to the three metal clips.



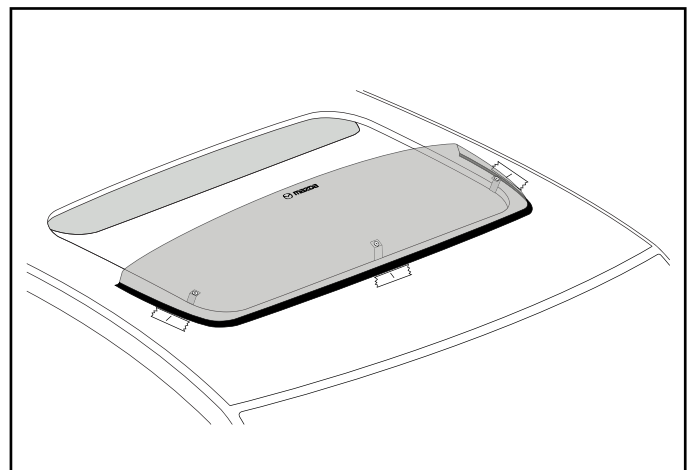
3. Loosely install the two outer metal clips and the center metal clip to the moonroof wind deflector using the three provided screws and the three provided washers.

Note: Center metal clip is longer than the two outer metal clips.



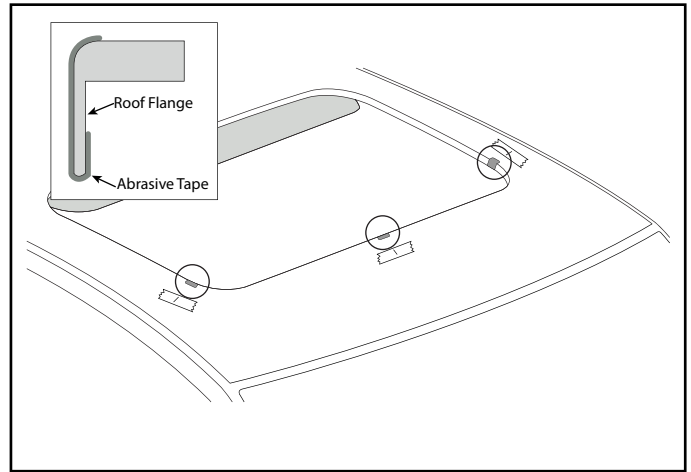
4. Trial fit the moonroof wind deflector centrally on the moonroof opening. Adhere masking tape to the roof in front of the hole locations in the moonroof wind deflector. Using a non-permanent marker or pencil, mark the locations of the clips on the edge of the moonroof opening. Remove Deflector.

Note: Take care not to scratch paint work when trial fitting the moonroof wind deflector.

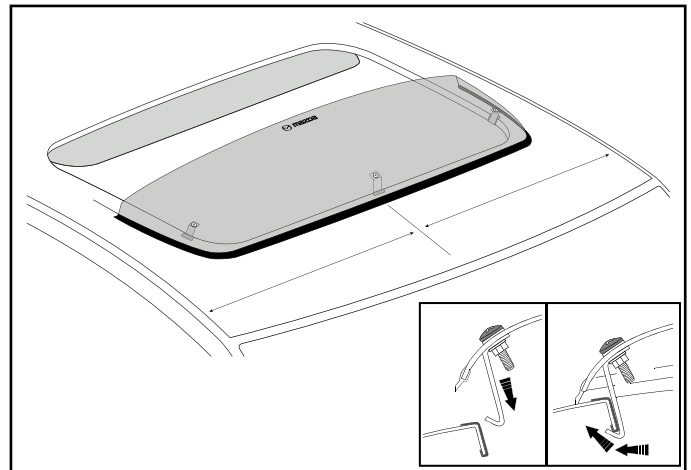


5. At the previously marked locations, clean these areas with the alcohol prep pad provided. Remove any remaining residue or moisture with a dry clean cloth. Apply the abrasive resistant tape to the cleaned areas, ensuring the tape is wrapped around and underneath the roof flange. Remove masking tape.

Note: Ensure that the clips are positioned over the abrasive resistant tape and do not come into direct contact with the paint work.

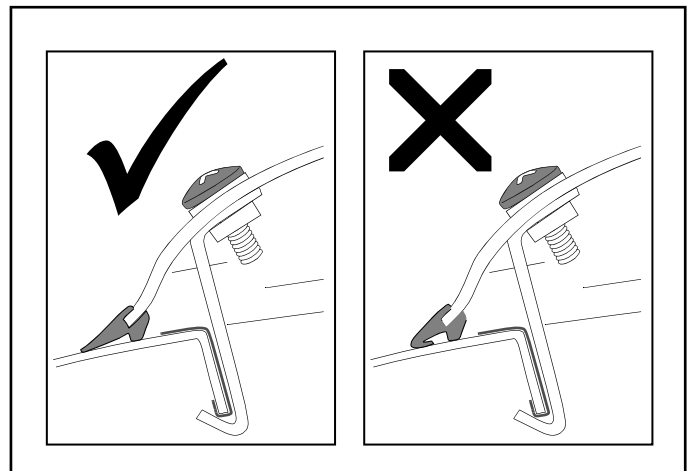


6. Re-fit the moonroof wind deflector centrally onto roof. Ensure the rubber gasket is flat against the roof and is not curling under itself. Ensure the clips are positioned over the abrasive resistant tape. Secure the moonroof wind deflector centrally to the roof by tightening the screws to a torque of 5~7 lb-in using the #2 phillips socket and torque wrench. Check that the moonroof wind deflector is centered from side to side.



7. Ensure the rubber gasket on the moonroof wind deflector is flat against roof, if it is curled under, loosen the screws on moonroof wind deflector and adjust.

To Remove: Reverse the above procedure.



Inspection after installation

• Inspect the installed / reinstalled parts for the following items.

Inspection Parts	Check Item (o)			
	Clearance / Fit	Scratches / Dirt	Installation / Engagement	Operation Check
Moonroof Wind Deflector	o	o		
Gasket	o		o	
Center Metal Clip			o	
Outer Metal Clips			o	

Important check items

• Inspect the installed / reinstalled parts for the following items.

Inspection Parts	Part Name	Tightening Torque	Check & Write Tightening Torque	Person in Charge
Center Metal Clip Installation Step 3 (pg. 2)	Screw	5.0 -7.0 lb-in	lb-in	
Outer Metal Clip Installation Step 3 (pg. 2)	Screw	5.0 -7.0 lb-in	lb-in	

Date:		
Vin:		
Approved	Checked	Person in Charge