

Mazda®

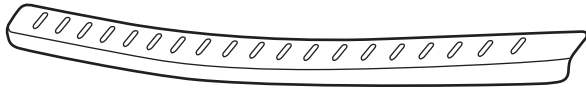
GENUINE ACCESSORIES
INSTALLATION INSTRUCTIONS

PART NUMBER:
0000-8T-M02

Rear Bumper Guard

APPLICABLE MODELS:
2010 ≥ MAZDA CX-7

PACKAGE CONTENTS:



BUMPER GUARD (Qty 1)



ALCOHOL WIPE (Qty 1)

TOOLS REQUIRED:



SOFT LINT FREE CLOTH



RUBBER ROLLER



MASKING TAPE

⚠ CAUTION: Make sure to follow the instructions carefully to ensure proper installation.

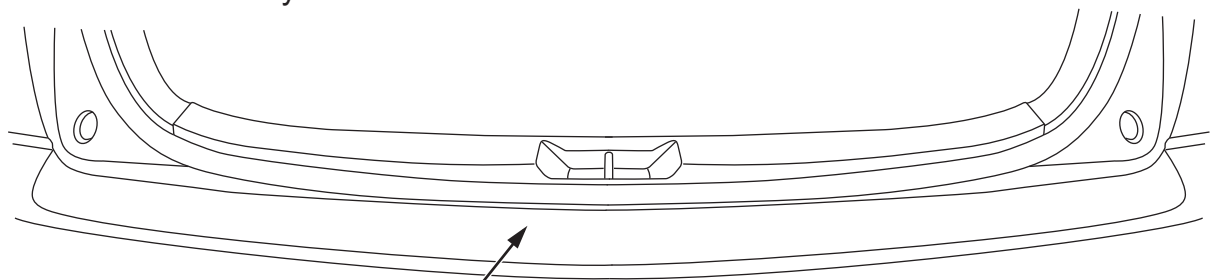
0. Before Installation:

- A. Read entire installation instruction before proceeding.
- B. Vehicle must be at room temperature.
- C. Clean mud, dirt, salt from installation area.
- D. Allow vehicle to dry.

1. Prepare Bumper:

A. Open the lift gate.

B. Carefully clean the horizontal and vertical surfaces where the bumper guard will attach with alcohol. Allow to air-dry.



Clean top and rear surface of bumper

Figure 1

Rear bumper

2. Bumper Guard Application

A. Align the tenth (10) rib of the bumper protector with rear hatch striker. [Figure 2]

B. Test fit without removing the tape backing several times to gain understanding of proper fit and alignment. Gap should be no larger than 2.0mm on rear surface of bumper, and centered with the 10th rib and rear hatch striker.

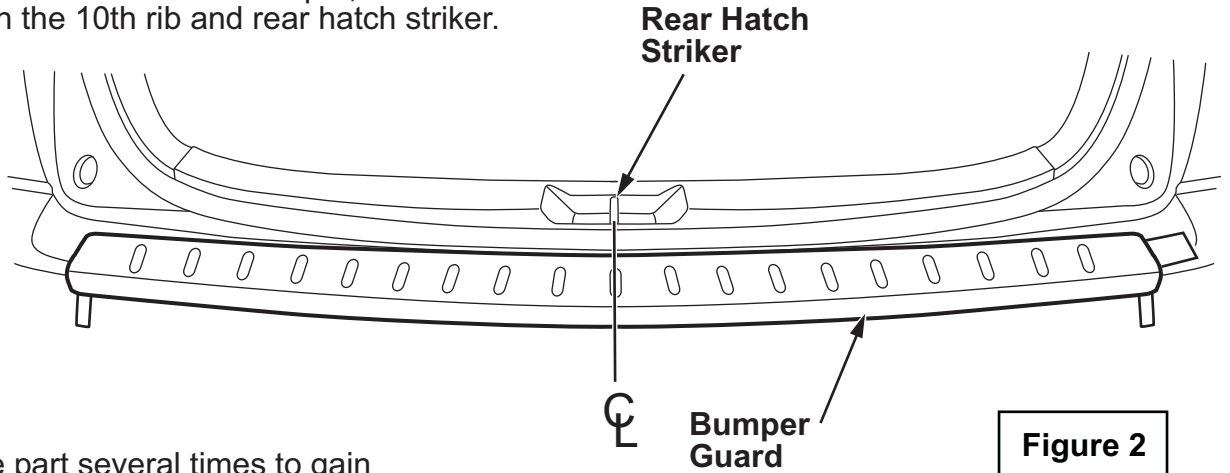


Figure 2

C. Test fit the part several times to gain experience and understanding of the best fit before removing the tape liners. After experimenting and determining the best fit location, (no gaps in excess of 2.0mm, any gap even on both sides) slide the bumper guard rearward enough to remove the thin tape liner that will be in contact with the vehicle bumper rear edge. Note, use care to avoid moving the part side to side changing the parts side to side placement.

After removing the thin tape liner from the entire part, evenly slide the guard forward to contact the thin tape with the rear surface of the bumper. (Note ensure the part has not moved side to side or the bumper guard will be out of position). The thin tape on the rear bumper guard should contact the rear surface of the vehicles bumper simultaneously across the entire surface. Press firmly across the rear of the bumper guard to ensure adhesion is achieved across the entirety of the part.

[Figure 3]

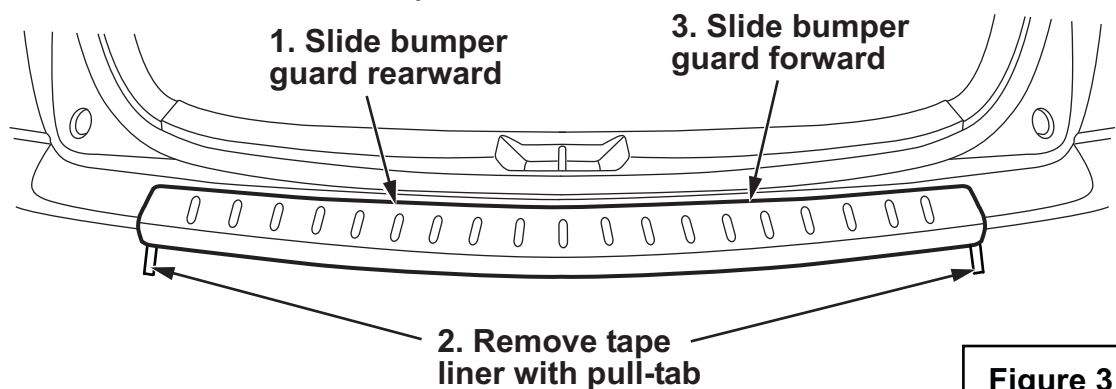


Figure 3

D. Carefully lift the front edge of the guard just enough to allow removal of the large tape liner. Pull the liner from the passenger side to the driver's side applying upward pressure on guard if needed. Use care to not pull guard away from the rear of the bumper while performing this step.
[Figure 4]

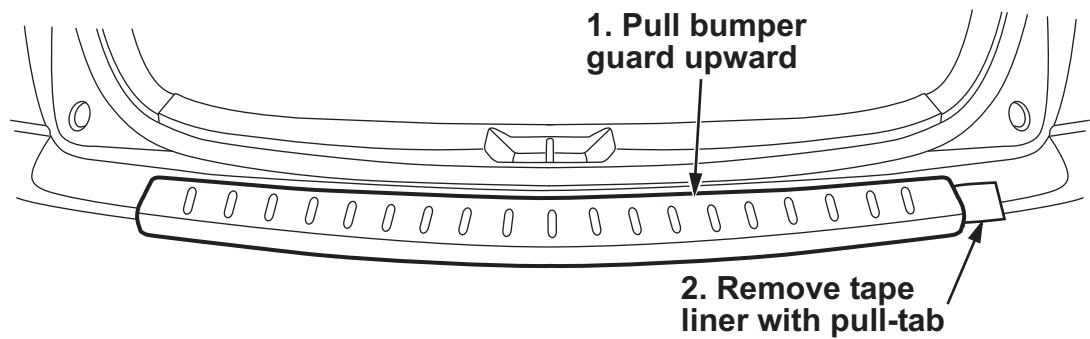


Figure 4

E. Using a roller, roll the tape on the front edge firmly against the bumper from the center-out. Roll tape area on rear surface of bumper form center out.
[Figure 5]

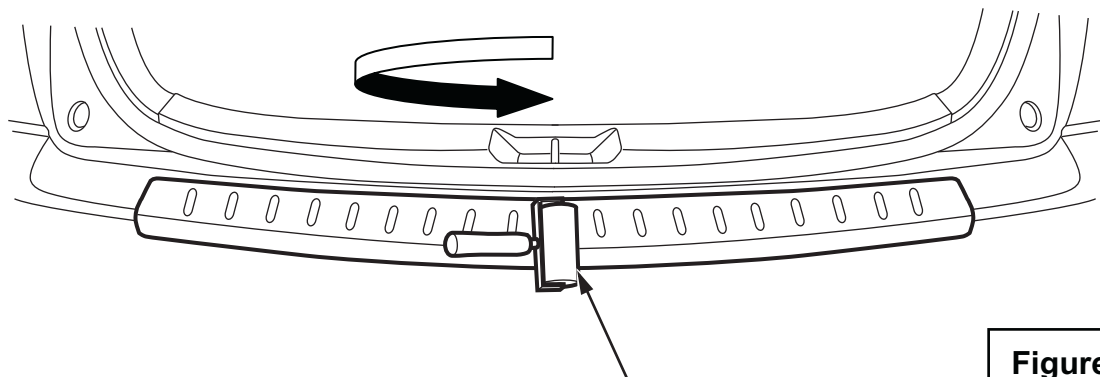


Figure 5

G. Clean installation area and perform inspections. Do not wash vehicle through an automatic car wash for at least 24 hours.

Installation Inspection Sheet

[To be used by installation workshop]

MazdaCX-7	Rear Bumper Guard
	2010>, All models

Inspection items after installation
Inspect the installed parts per the items listed below.

Max Gap Allowed is 2.0mm

Section to be inspected	Inspection item (circle)		
	Gap & fit	Scratches/stains	Tape residue/fingerprints
Rear Bumper Guard (Steel)	○	○	○
Rear Bumper		○	○

Date		(year/month/day)			
VIN No.					
Approved		Checked		Prepared	

❖ Retention period of this sheet: 12 months