

Mazda®

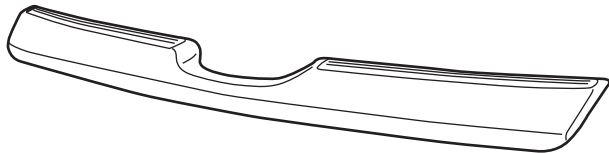
GENUINE ACCESSORIES
INSTALLATION INSTRUCTIONS

PART NUMBER:
0000-8T-P01

Rear Bumper Guard

APPLICABLE MODELS:
2010 ≥ MAZDA 2

PACKAGE CONTENTS:

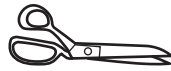


BUMPER GUARD (Qty 1)



ALCOHOL WIPE (Qty 1)

TOOLS REQUIRED:



SCISSORS



SOFT LINT FREE CLOTH



RUBBER ROLLER



MASKING TAPE

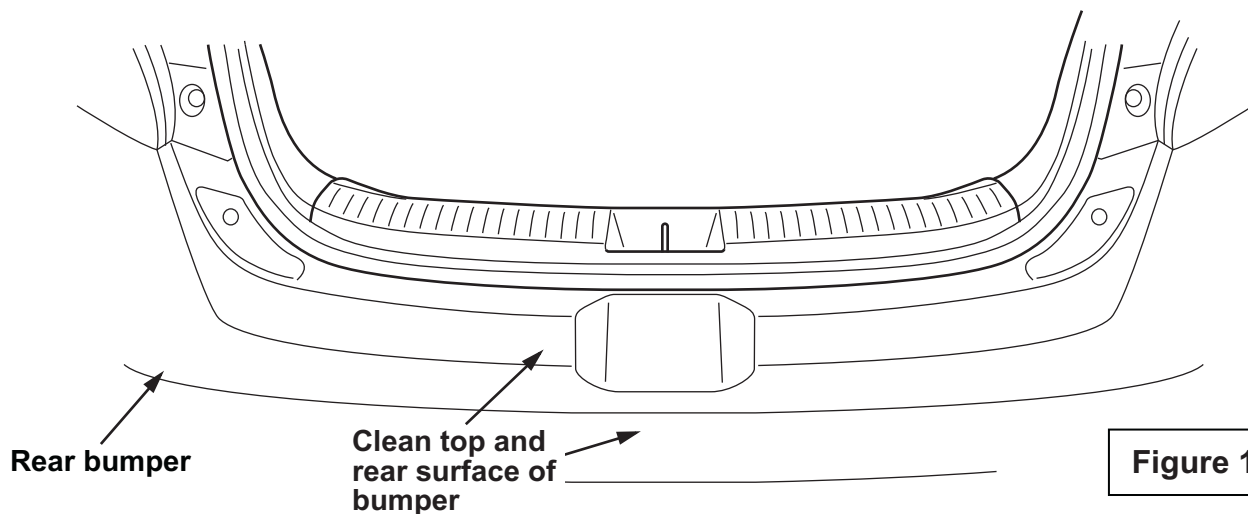
⚠ CAUTION: Make sure to follow the instructions carefully to ensure proper installation.

0. Before Installation:

- A. Read entire installation instruction before proceeding.
- B. Vehicle must be at room temperature. This is recommended to allow the tape to adhere in temperatures over 50 degrees F for at least 30 minutes.
- C. Clean mud, dirt and salt from installation area.
- D. Allow vehicle to dry.

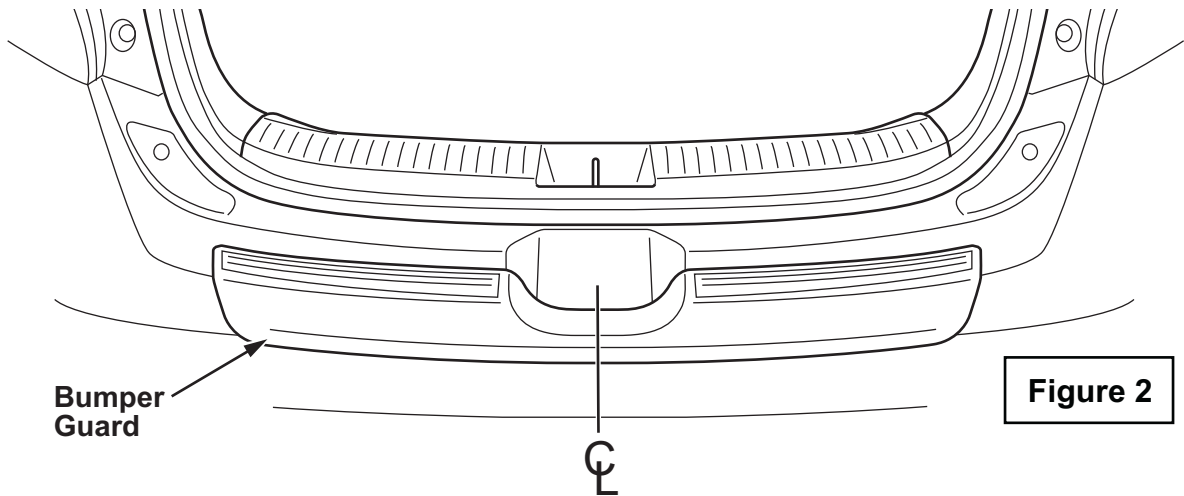
1. Prepare Bumper:

- A. Open the lift gate.
- B. Carefully clean the horizontal and vertical surfaces where the bumper guard will attach with alcohol. Allow to air-dry.



2. Bumper Guard Application

A. Part is self-centering. Test fit without removing any of the tape backing several times to test proper fit and alignment. Gap should be no larger than 2mm on rear surface of bumper. This step is intended not only as practice, but will confirm that the actual part has not been damaged or deformed. [Figure 2]



B. **NOTE: Failure to properly follow this step could result in a poor fit. You should have 8 small pieces of masking tape ready to hold the flags for this step.**

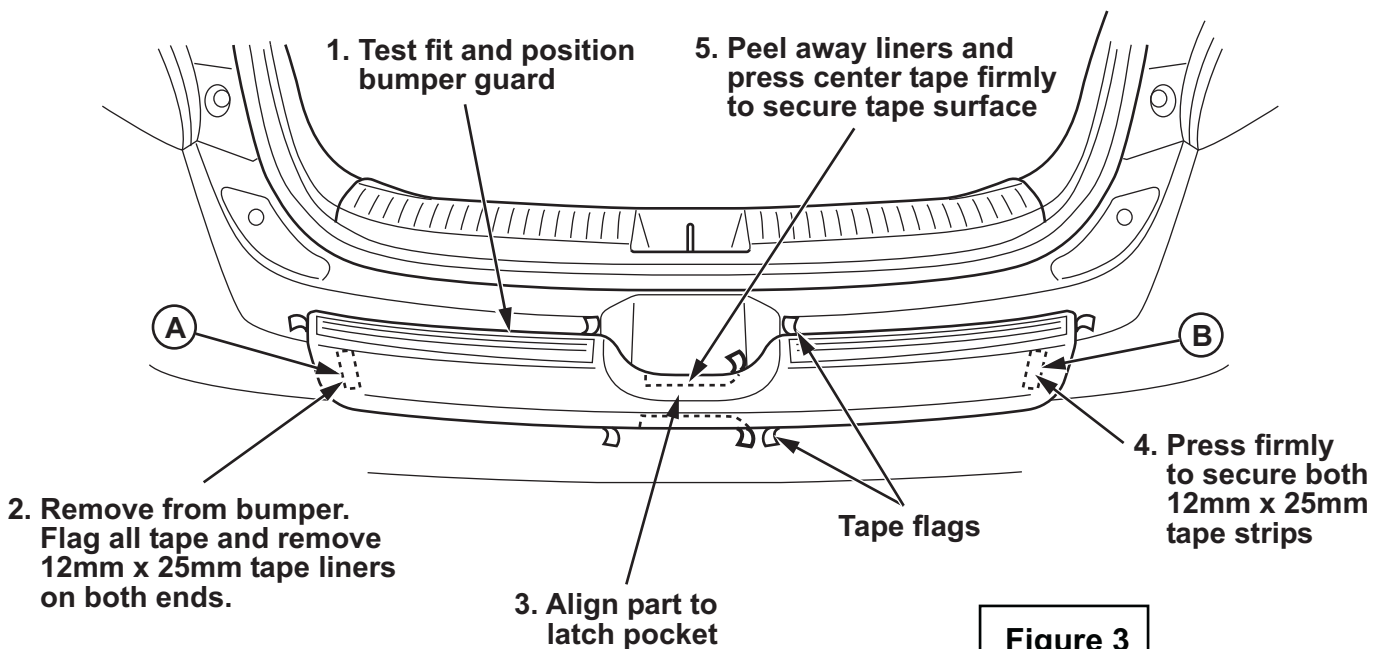
After determining the best fit and part quality, no gaps in excess of 2mm and an even gap on both sides, remove the bumper guard from the vehicle. Peel and flag a starting edge on all tape strips with the exception of the two small 12mm x 25mm strips on both sides (shown as A and B below).

Completely remove the tape liner on the two 12mm x 25mm tape strips on both sides of the part (shown as A and B below).

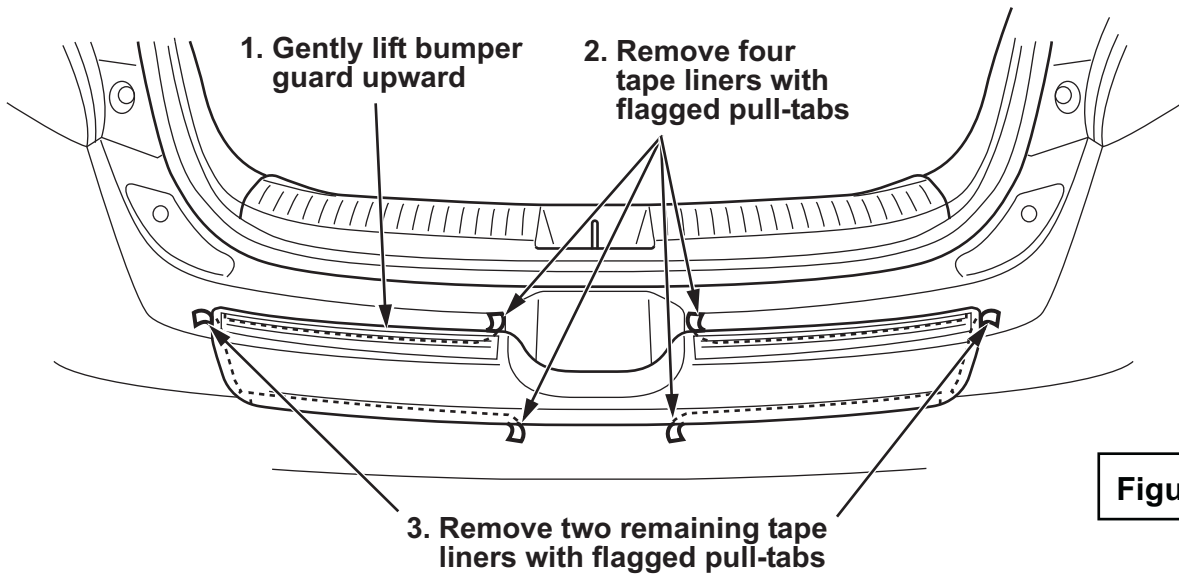
Reset the bumper guard to the latch pocket and ensure part is located as previously determined for best fit.

Push the bumper guard flush to the rear of the vehicle and contact the two small pieces of tape (shown as A and B below).

Pull the two center flags to remove tape liners. Push the center of the bumper guard to fully contact in the latch pocket. Press along the bumper guard flush from the center outward to fully adhere in the latch pocket. The bumper guard will hold itself in this position for the final tape adhesion in the next step.

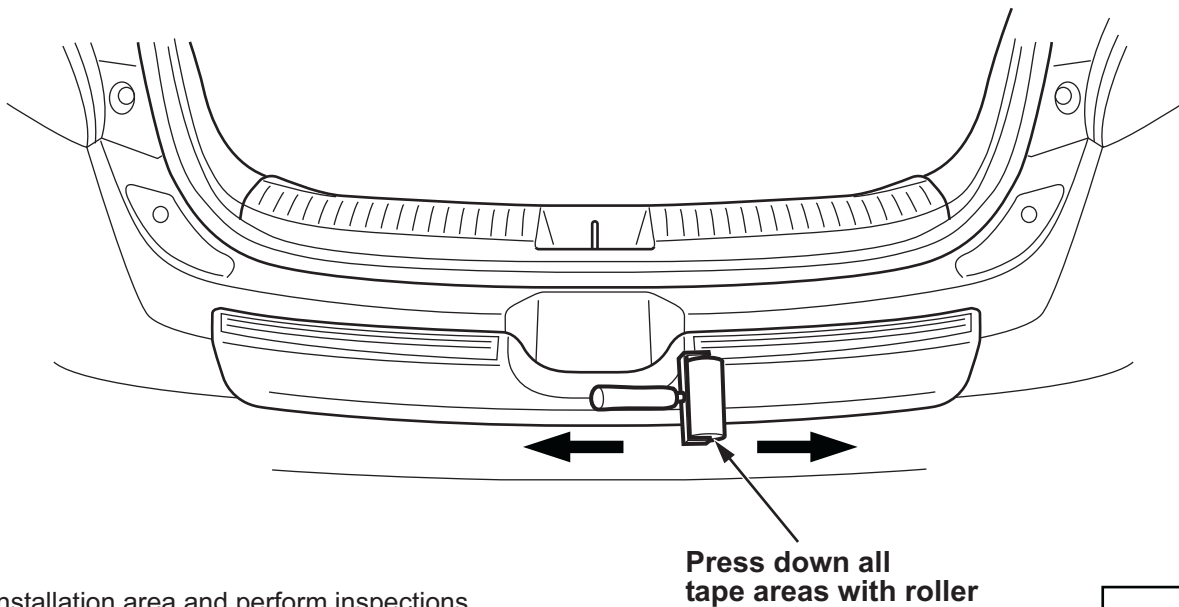


C. Carefully lift the front edge of the guard just enough to allow removal of the remaining tape liners. Pull the liner from the center outward, applying upward pressure on guard if needed. Use care to not pull guard away from the rear of the bumper while performing this step. [Figure 4]



D. Using a roller, press the entire guard firmly against the bumper from the center-out. [Figure 5]

E. It is recommended that the tape adhesive be allowed to cure in temperatures over 50 degrees F for at least 30 minutes.



F. Clean installation area and perform inspections.
NOTE: Do not wash vehicle through an automatic car wash for at least 24 hours.

Installation Inspection Sheet

[To be used by installation workshop]

Mazda 2	Rear Bumper Guard
	2010>, All models

Inspection items after installation
Inspect the installed parts per the items listed below.

Section to be inspected	Inspection item (circle)		
	Gap & fit	Scratches/stains	Tape residue/fingerprints
Rear Bumper Guard (Steel)	○	○	○
Rear Bumper		○	○
Verify that all 10 tape liners are accounted for after installation			

Date		(year/month/day)			
VIN No.					
Approved		Checked		Prepared	

❖ Retention period of this sheet: 12 months