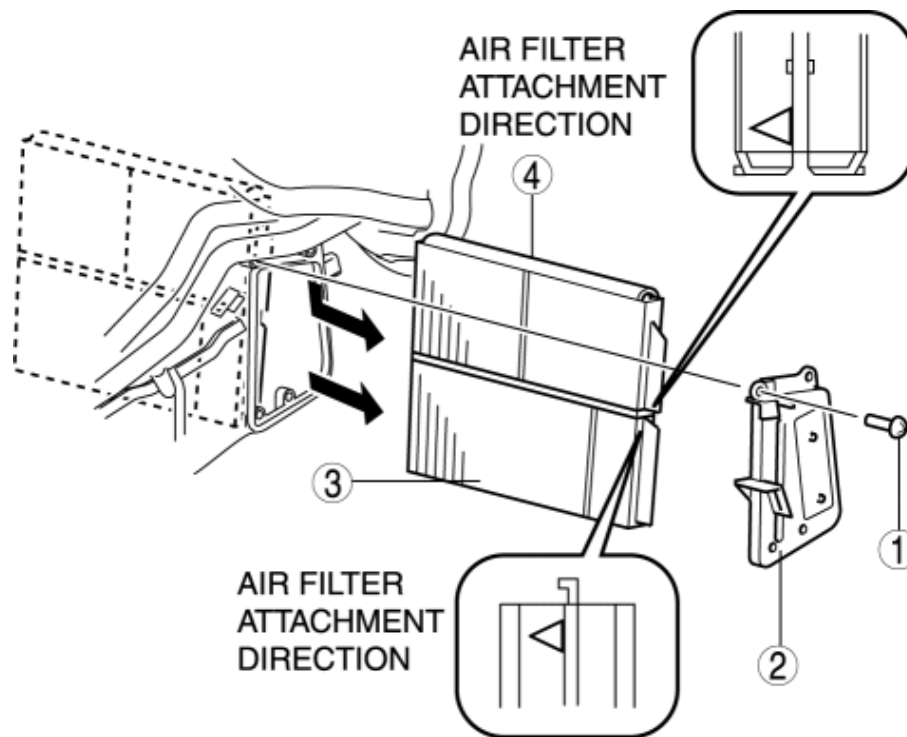


< Previous Next >

## 2010 - Mazda3 - HVAC

### AIR FILTER REMOVAL/INSTALLATION

1. Disconnect the negative battery cable.
2. Remove the side wall. (See [SIDE WALL REMOVAL/INSTALLATION](#).)
3. Disconnect the evaporator temperature sensor connector.
4. Disconnect the power MOS FET connector. (Full-auto air conditioner)
5. Disconnect the resistor connector. (Manual air conditioner)
6. Remove in the order indicated in the table.



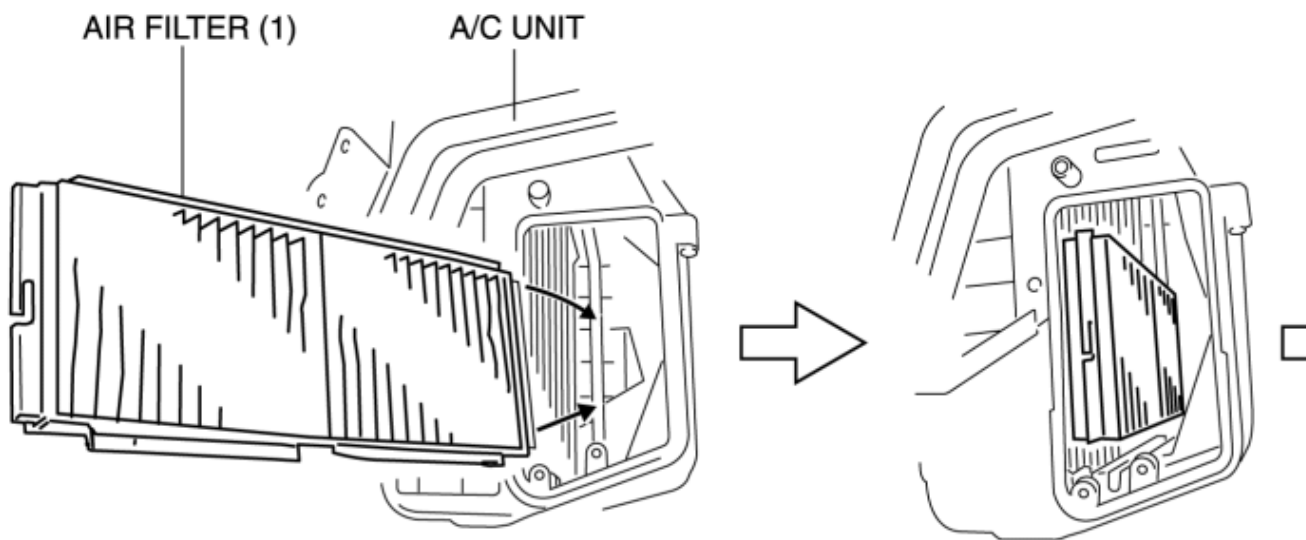
1	Screw
2	Air filter cover
3	Air filter (2)
(See <a href="#">Air Filter Installation Note</a> .)	
4	Air filter (1)

(See [Air Filter Installation Note](#).)

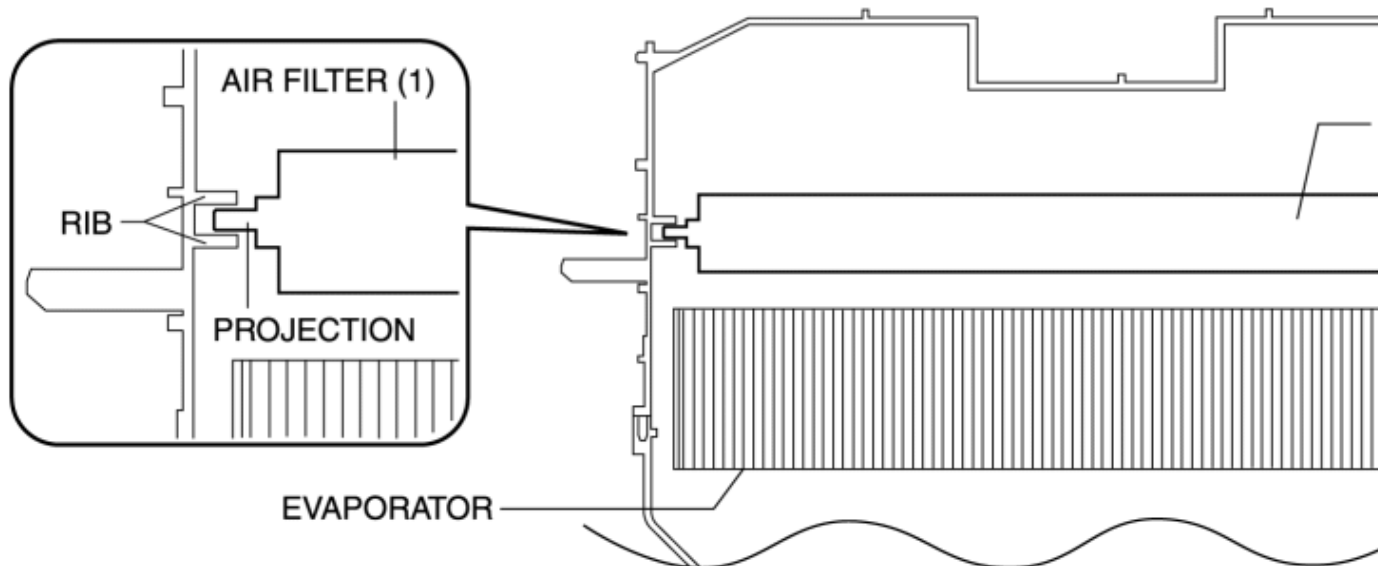
7. Install in the reverse order of removal.

### Air Filter Installation Note

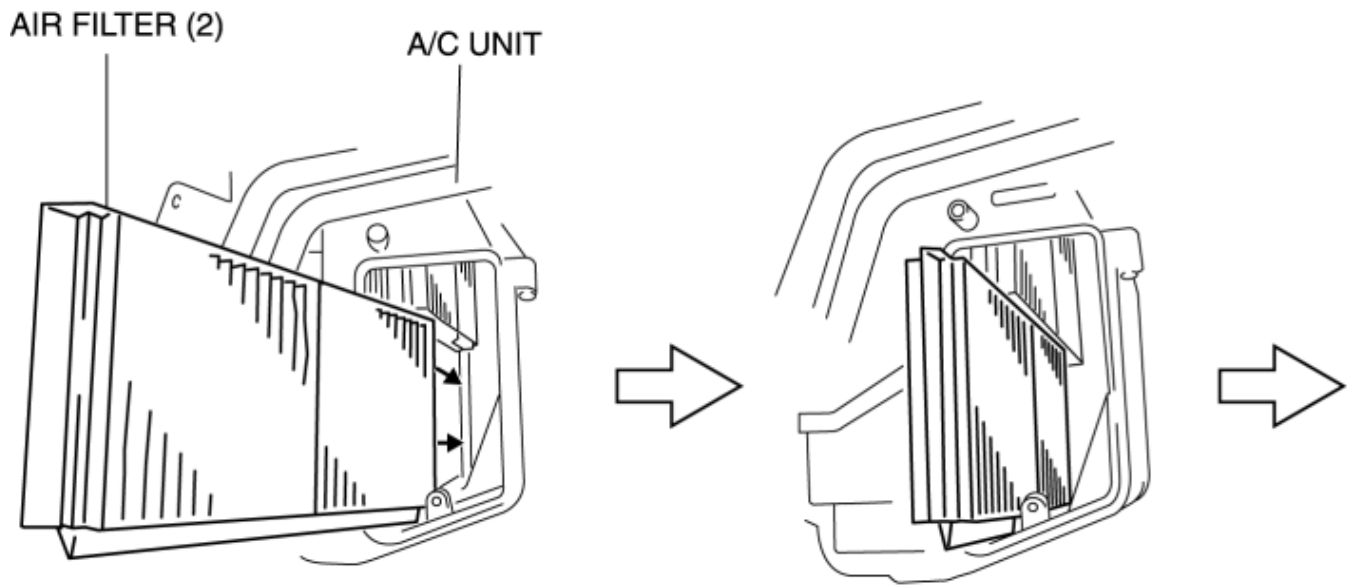
1. Insert the air filter projection between the ribs of the A/C unit and assemble the air filter (1) in the order shown in the figure.



### CROSS-SECTIONAL VIEW



2. Assemble the air filter (2) in the order shown in the figure.



[< Previous](#) [Next >](#)

[Back to Top](#)

© 2011 Mazda North American Operations, U.S.A.