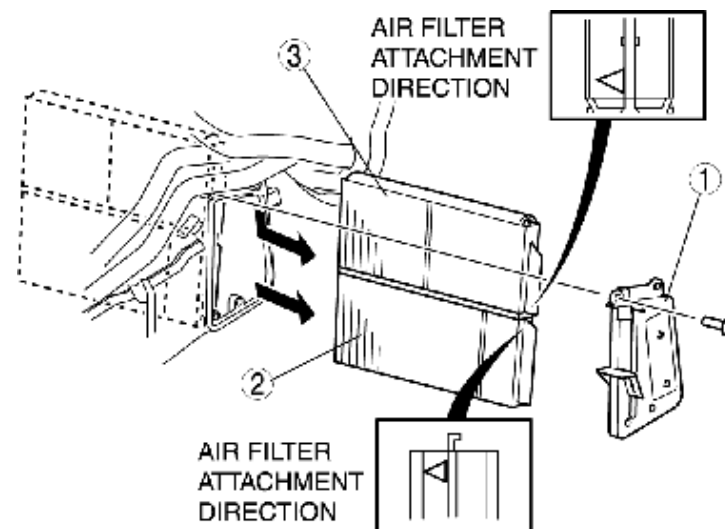


[< Previous](#) [Next >](#)

2006 - Mazda5 - Workshop Manual - HVAC

AIR FILTER REMOVAL/INSTALLATION

1. Remove the battery cover. (See [BATTERY REMOVAL/INSTALLATION \[L3\]](#).)
2. Disconnect the negative battery cable.
3. Remove the under cover.
4. Disconnect the evaporator temperature sensor connector.
5. Disconnect the power MOS FET connector. (Full-auto air conditioner)
6. Remove in the order indicated in the table.



1	Cover
2	Air filter (1)
3	Air filter (2)

7. Install in the reverse order of removal.

[< Previous](#) [Next >](#)

[Back to Top](#)

© 2009 Mazda North American Operations, U.S.A.