



# GENUINE ACRYLIC VISOR

## INSTALLATION AND USER'S INSTRUCTIONS

Thank you for purchasing a genuine Mazda accessory.  
Before removal and installation, be sure to thoroughly read these instructions.  
Please read the contents of this booklet in order to properly install and use the acrylic visor.

### **WARNING**

- There are several  **WARNING** and  **CAUTION** sections in this booklet concerning safety when installing or removing the acrylic visor. Always read and follow them in order to prevent injuries, accidents, and possible damage to the vehicle.
  - △ **WARNING** : Indicates a situation in which serious injury or death could result if the warning is ignored.
  - △ **CAUTION** : Indicates a situation in which bodily injury or damage to the vehicle could result if the caution is ignored.
- Do not modify the acrylic visor.
- Do not install the acrylic visor in any way other than described in the following instructions.
- If you have any questions about the use of the accessory, ask your Mazda dealer for proper advice before using it.
- Mazda and its suppliers are not responsible for injuries, accidents, and damage to persons and property that arise from the failure of the dealer or installer to follow these instructions.
- To ensure safety and reliability of the work, installation, removal and disposal work must be carried out by an Authorized Mazda Dealership.
- Be careful not to lose removed parts, and be sure that they are kept free from scratches, grease or other dirt.

**PART NAME: ACRYLIC VISOR**  
**PART NUMBER: CG15 V3 700**  
**APPLICABLE MODEL: MAZDA 5**

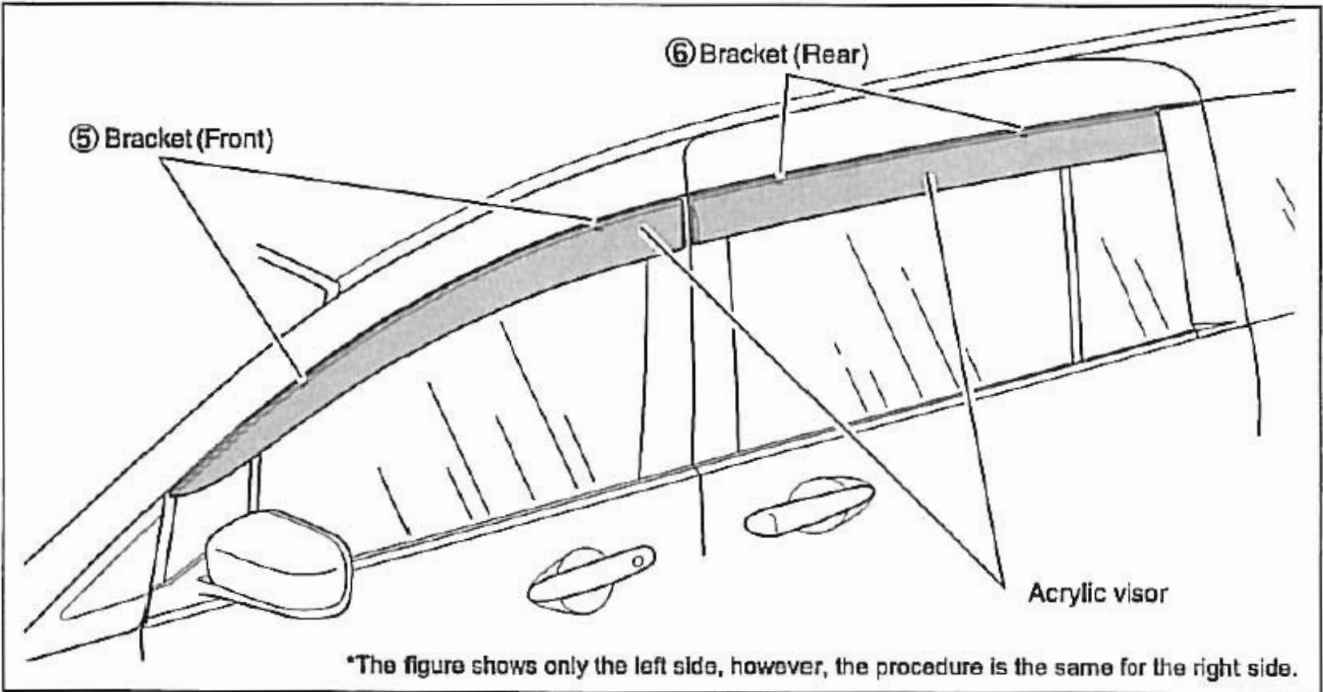
#### **To the dealer**

- Please turn over these instructions to the customer after installation.

#### **To the customer**

- Keep these instructions after installation. The instructions may be necessary for installing other optional parts or removal of this accessory.
- Should the vehicle or this accessory be resold, always leave these instructions with it for the next owner.

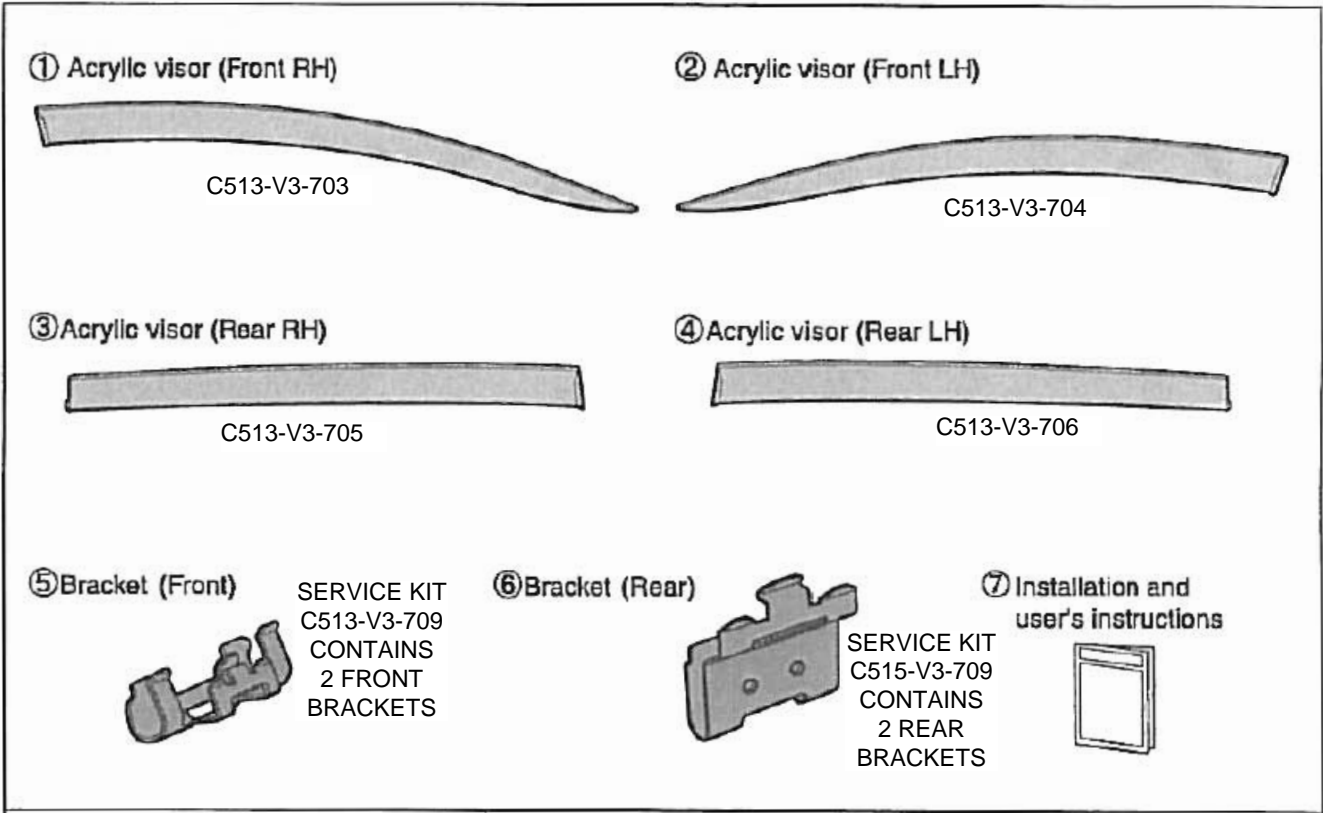
# 1. INSTALLATION VIEW



# 2. COMPONENTS

**⚠ CAUTION**

- Before installation, verify that the kit includes all the following parts and that they are free of dirt, scratches, or damage.



PART NAME	COMPONENTS
ACRYLIC VISOR SET	①, ②, ③, ④, ⑤×4, ⑥×4, ⑦

### 3. BEFORE INSTALLATION

#### 1. REQUIRED TOOLS

- ☆ Clean rag (Soft cloth)
- ☆ IPA
- ☆ Hand dryer (Use when the temperature is low.)
- ☆ Wheel block
- ☆ Remover

#### ⚠ WARNING

- Before performing work, park the vehicle on level ground, apply the parking brake securely, and then block the wheels. If the wheel block is not set, the vehicle will move during the work, and it may cause injury.

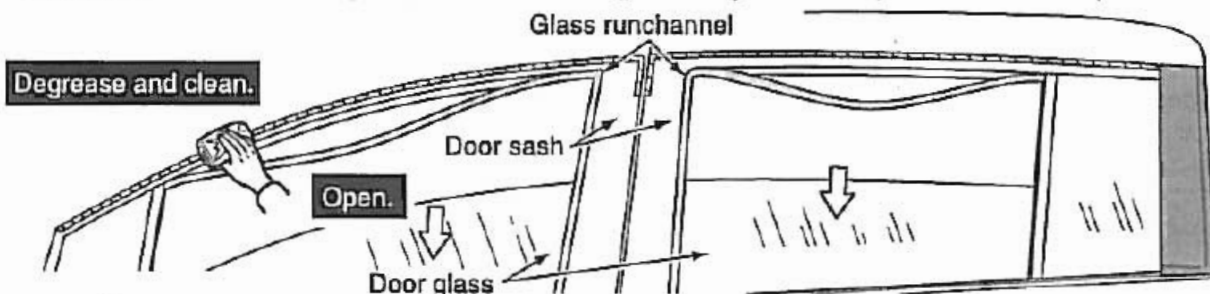
#### ⚠ CAUTION

- It is recommended that the environment for installation be at room temperature (Approx. 24°C). The overall length of the acrylic visor may change with the temperature especially in summer or winter and affect the measurements for installation. Therefore, adjust the temperature to within the standard temperature range (15°C-35°C) by warming or cooling to maintain measurements for installation.

### 4. PREPARATION FOR ACRYLIC VISOR INSTALLATION

#### Installation surface cleaning

1. Open all door glasses.
2. Remove the glass runchannel and degrease, clean (with IPA), and completely dry the door sash (shaded areas in figure) before installing the acrylic visors (hereinafter visor).

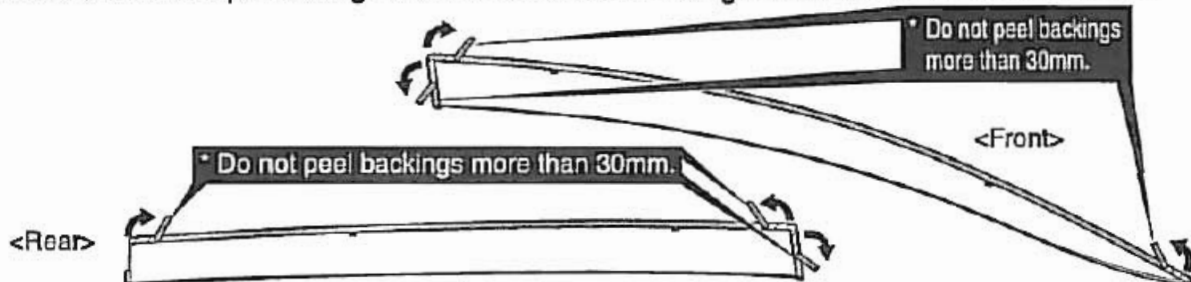


#### ⚠ CAUTION

- Wipe off dirt, wax, or oil from installation surface. If dirt, wax or oil is not wiped off from the surface, the adhesive strength of the double-sided adhesive tape will weaken and could cause the accessory to detach.
- The glass runchannel on the rear door is difficult to remove, use a remover.

#### Before installation

1. Peel the adhesive tape backing 20-30mm as shown in the figure below and fold them outward.



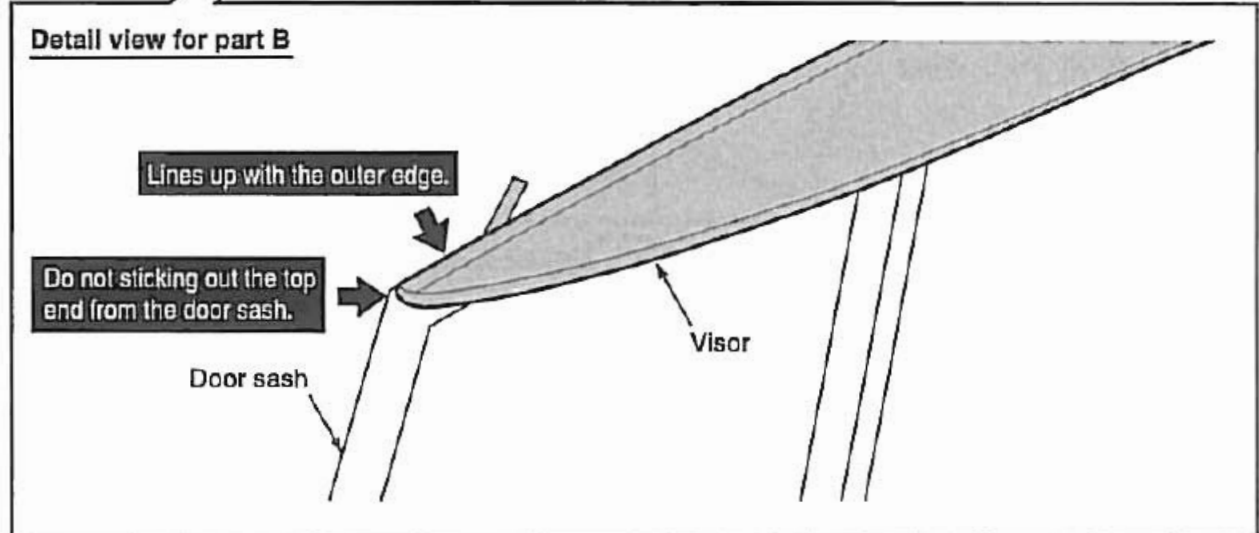
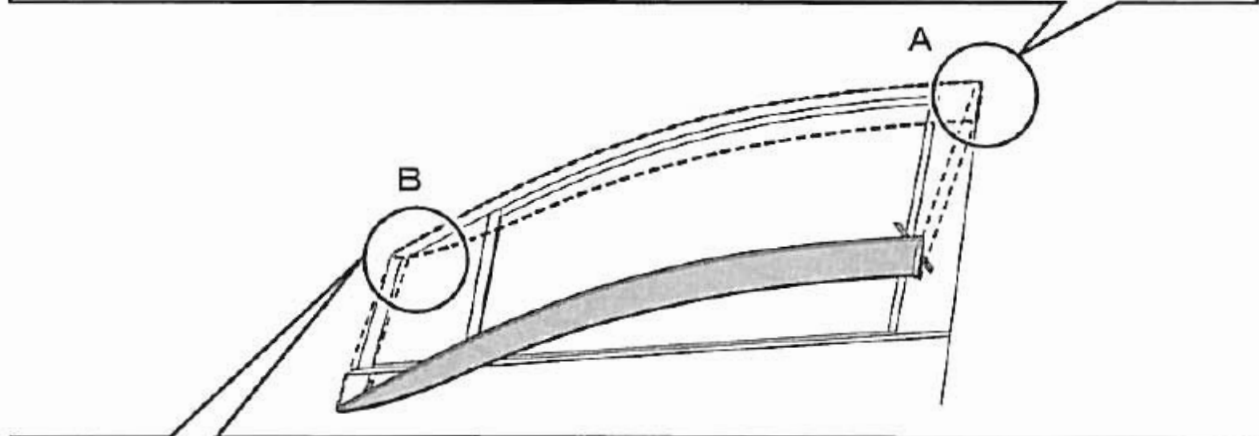
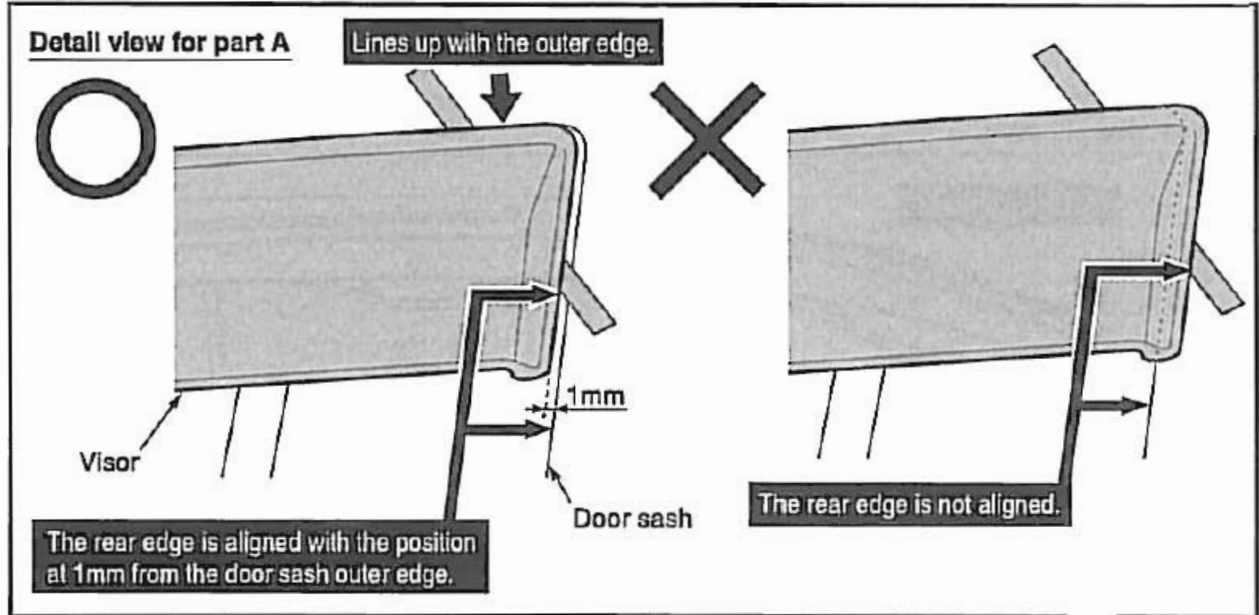
#### ⚠ CAUTION

- Do not touch the adhesive tape surfaces after peeling off the backings. The adhesive strength of the double-sided adhesive tape will weaken.
- Do not peel the adhesive tape backings more than 30mm, as this will make it impossible to move the visors when positioning them correctly.

## 5. ACRYLIC VISOR TEMPORARY INSTALLATION

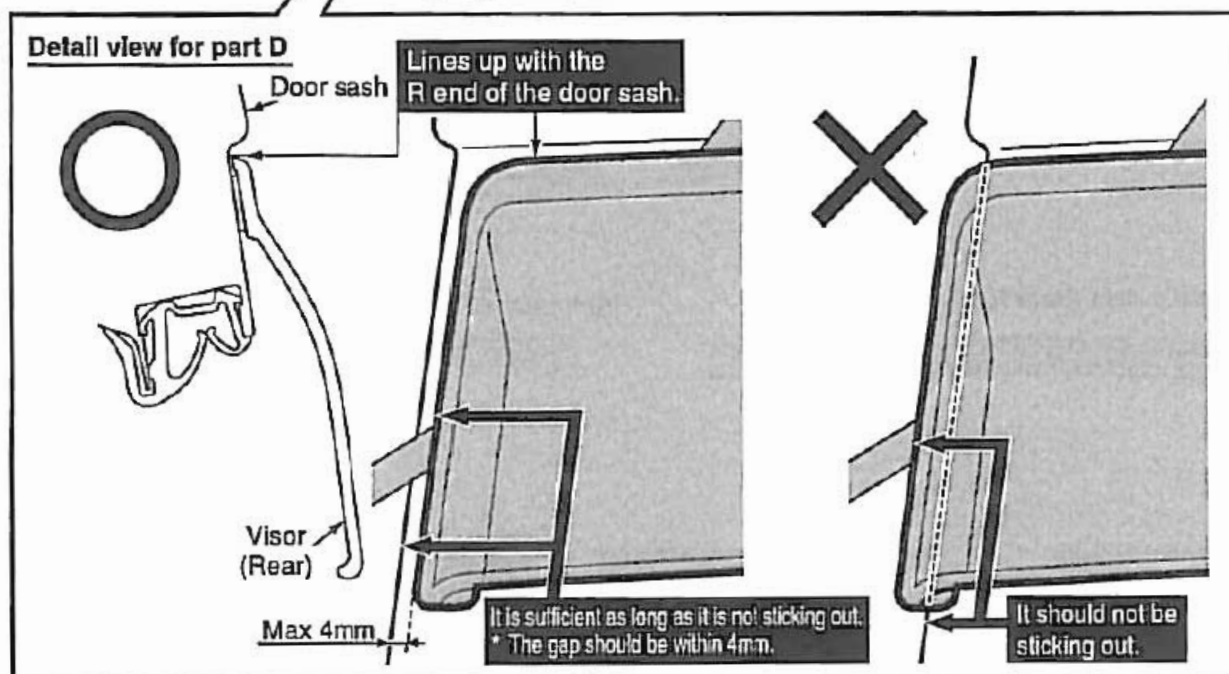
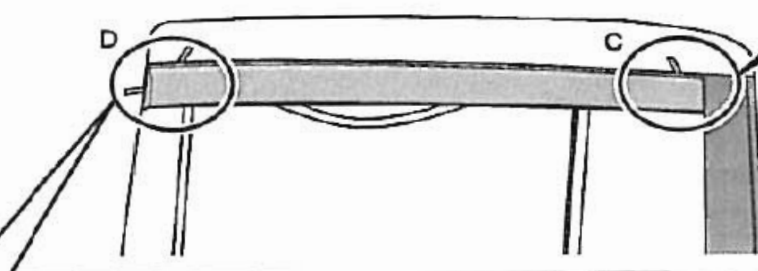
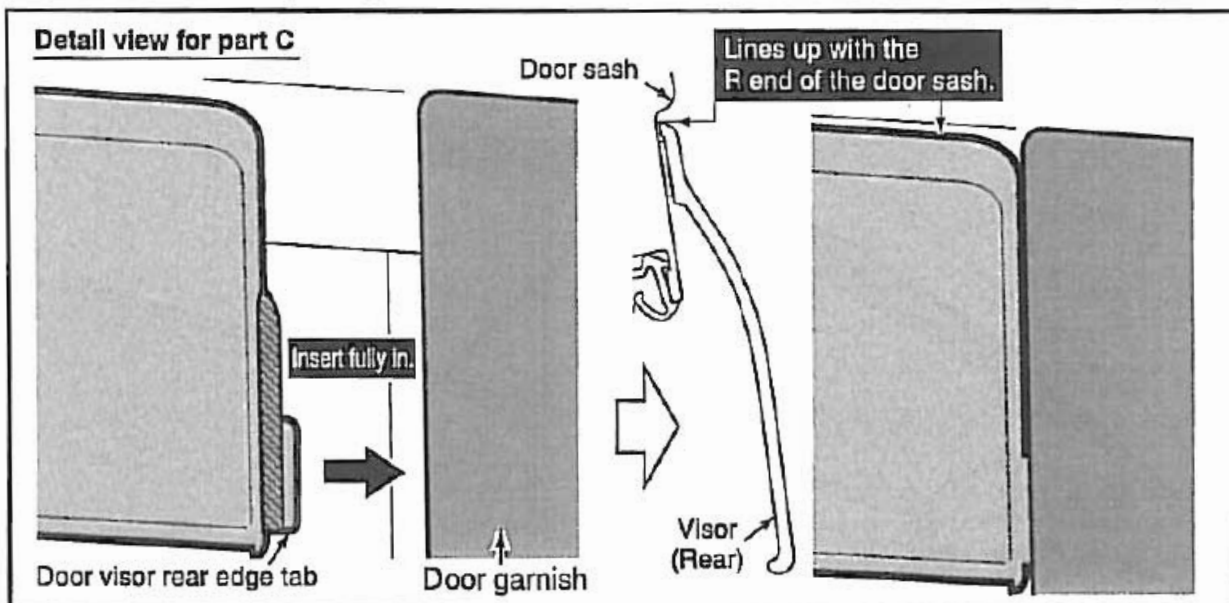
### Visor temporary installation <Front>

1. Position the visor so that the top of its rear end is aligned with the door sash outer edge, and its rear edge is 1mm from the door sash outer edge, and then install temporarily.
2. Position the visor so that the top of its front end is aligned with the door sash outer edge, and then install temporarily.



## Visor temporary installation <Rear>

1. Insert the visor rear edge tab into the door garnish fully in then align and temporarily affix the top edge to the door sash R end.
2. Position the visor so that the top edge of its front side is aligned with the R end of the door sash and then attach temporarily.



### **ADVICE**

- Confirm that the front, back, top, and bottom are evenly attached after temporary installation.



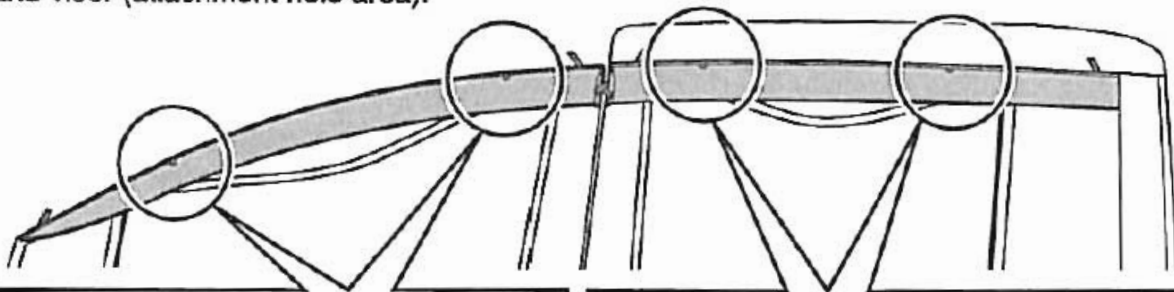
## 6. ACRYLIC VISOR INSTALLATION

### Bracket Installation

#### ⚠ CAUTION

- Install the bracket before affixing the visor to the door sash. If this is not done, the visor may get out of the installing position and it prevent the bracket from being installed properly.
- To make it easy to install the bracket, push lightly on the visor to clear the gap between the door sash and the double-sided adhesive tape.

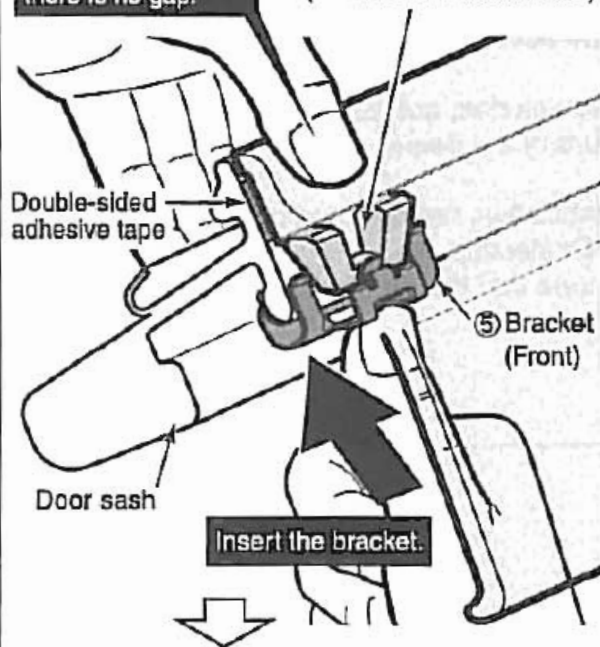
1. Insert ⑤ brackets (front) and ⑥ brackets (rear) so that they are in between the door sash and visor (attachment hole area).



#### ⑤ Bracket (front) attachment unit details

Gently press so that there is no gap.

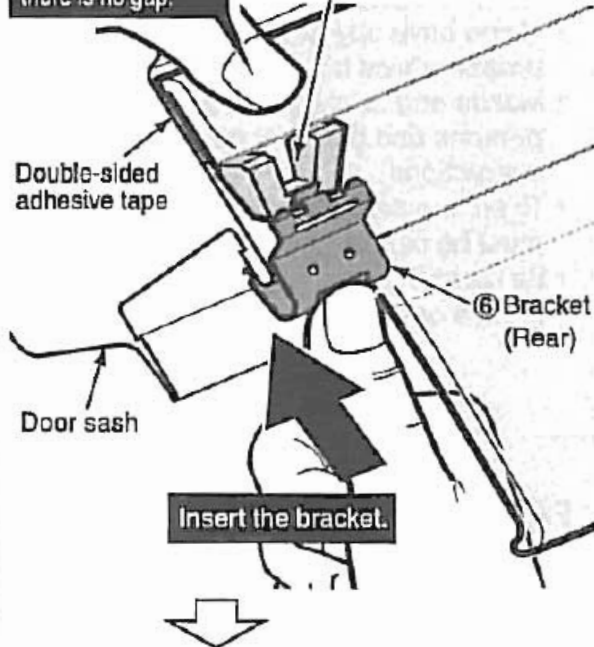
Visor  
(bracket installation hole)



#### ⑥ Bracket (rear) attachment unit details

Gently press so that there is no gap.

Visor  
(bracket installation hole)



## Visor attachment


- Before attaching the visors, perform the following check in the order shown.

1. Are the visors correctly positioned with reference to the door sash?
2. Are the brackets correctly placed?
3. Is there no interference of the visors with the door opening or closing?

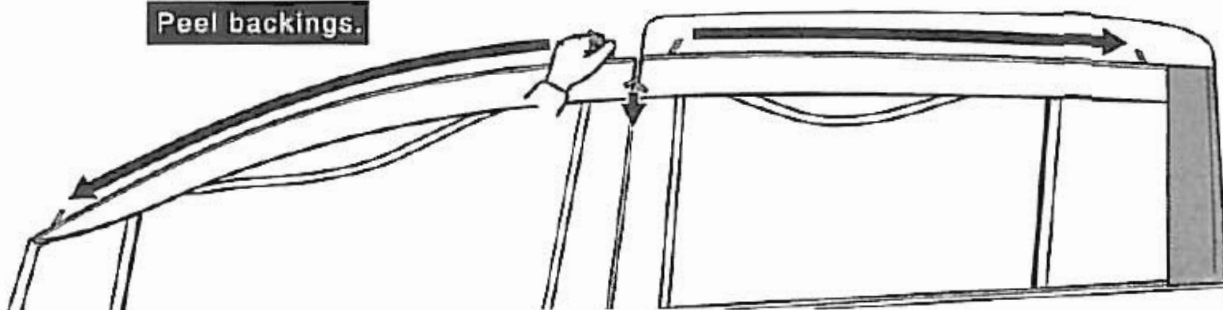
☆ If any problem is found in the above check, reposition the visors.

★ If there are no problems, while aligning the visors with the door sash, remove the adhesive tape backings in the direction of the arrows, being careful not to twist them. Then press the visors well to affix them.

### ⚠ CAUTION

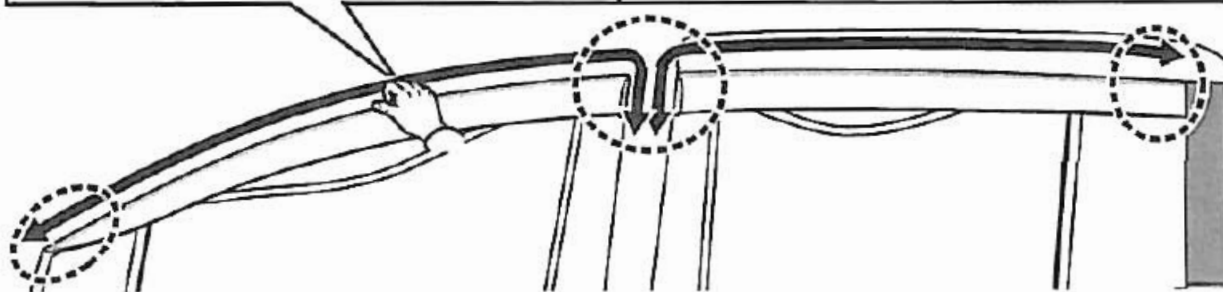
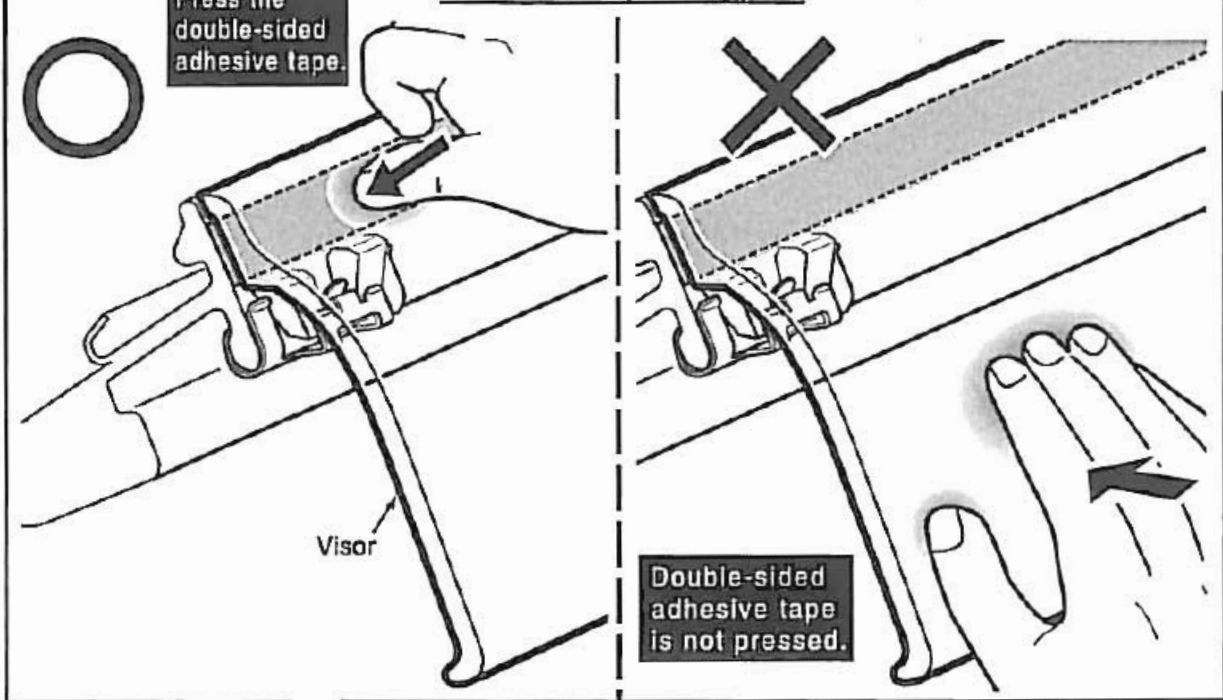
- Press the double-sided tape evenly and sufficiently. If the  area is not sufficiently pressed, a gap may form causing water to seep in and sounds from the wind. Make sure to press the double-sided tape area to prevent damaging the metal fittings when pressing to attach.
- The adhesive strength of the double-sided adhesive tape will weaken if the visors are removed after once being affixed.

Peel backings.



Press the double-sided adhesive tape.

Detail view for pressing parts

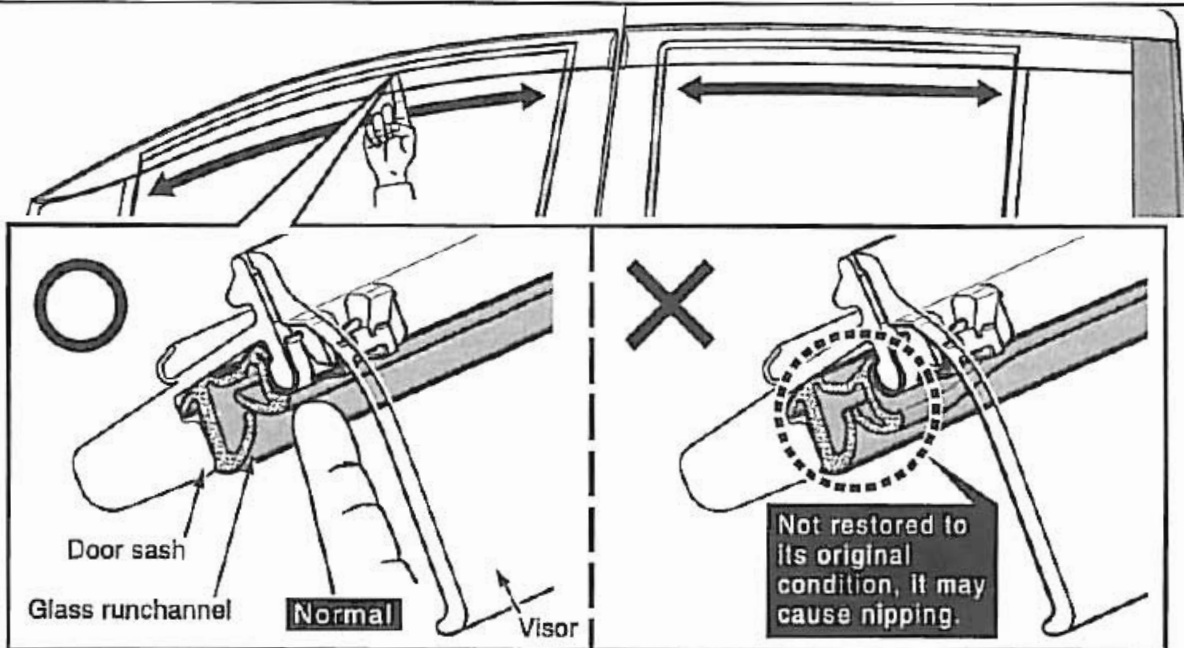


## Glass runchannel restoration

1. Return the glass runchannel to the door sash and press it with your fingertips to conform it to the door sash and the brackets.

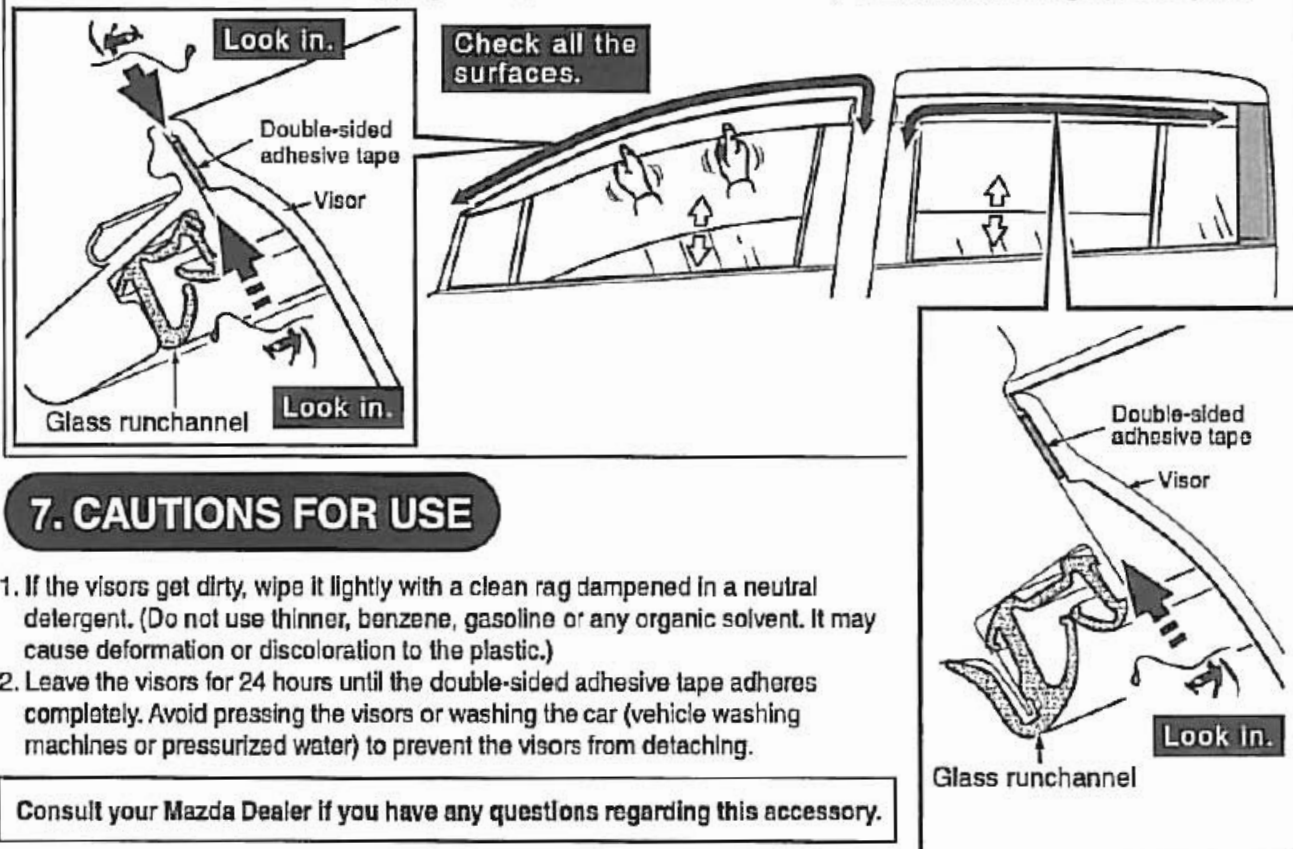
### ⚠ CAUTION

- If the glass runchannel is not restored to its original condition, it causes nipping of the glass runchannel.
- When restoring, be careful not to get injured by the brackets.



## After installation

1. Inspect all the affixing surfaces from the top and bottom to make sure that no part of the visor has lifted.
2. Lightly pull the visors to make sure that they are securely affixed.
3. Make sure that there is no nipping of the glass runchannel or noise by raising and lowering the door glass.



## 7. CAUTIONS FOR USE

1. If the visors get dirty, wipe it lightly with a clean rag dampened in a neutral detergent. (Do not use thinner, benzene, gasoline or any organic solvent. It may cause deformation or discoloration to the plastic.)
2. Leave the visors for 24 hours until the double-sided adhesive tape adheres completely. Avoid pressing the visors or washing the car (vehicle washing machines or pressurized water) to prevent the visors from detaching.

Consult your Mazda Dealer if you have any questions regarding this accessory.