





GENUINE MUD FLAP (FRONT)

INSTALLATION AND USER'S INSTRUCTIONS

Thank you for purchasing a genuine Mazda accessory.
Before removal and installation, be sure to thoroughly read these instructions.
Please read the contents of this booklet in order to properly install and use the mud flap.
Your safety depends on it.
Keep these instructions with your vehicle records for future reference.

WARNING

- There are several  **WARNING** and  **CAUTION** sections in this booklet concerning safety when installing or removing the mud flap. Always read and follow them in order to prevent injuries, accidents, and possible damage to the vehicle.
 -  **WARNING:** Indicates a situation in which serious injury or death could result if the warning is ignored.
 -  **CAUTION :** Indicates a situation in which bodily injury or damage to the vehicle could result if the caution is ignored.
- Do not modify the mud flap.
- Do not install the mud flap in any way other than described in the following instructions.
- If in any doubt, please ask your Mazda dealer to install the accessory in order to prevent errors in installation.
- If you have any questions about the use of the accessory, ask your Mazda dealer for proper advice before using it.
- Mazda and its suppliers are not responsible for injuries, accidents, and damage to persons and property that arise from the failure of the dealer or installer to follow these instructions.
- To ensure safety and reliability of the work, installation, removal and disposal work must be carried out by an Authorized Mazda Dealership.
- Be careful not to lose removed parts, and be sure that they are kept free from scratches, grease or other dirt.

PART NAME: MUD FLAP (FRONT)
PART NUMBER: D651 V3 450G
DR61 V3 450
VEHICLE: MAZDA2

NOTE

To the dealer

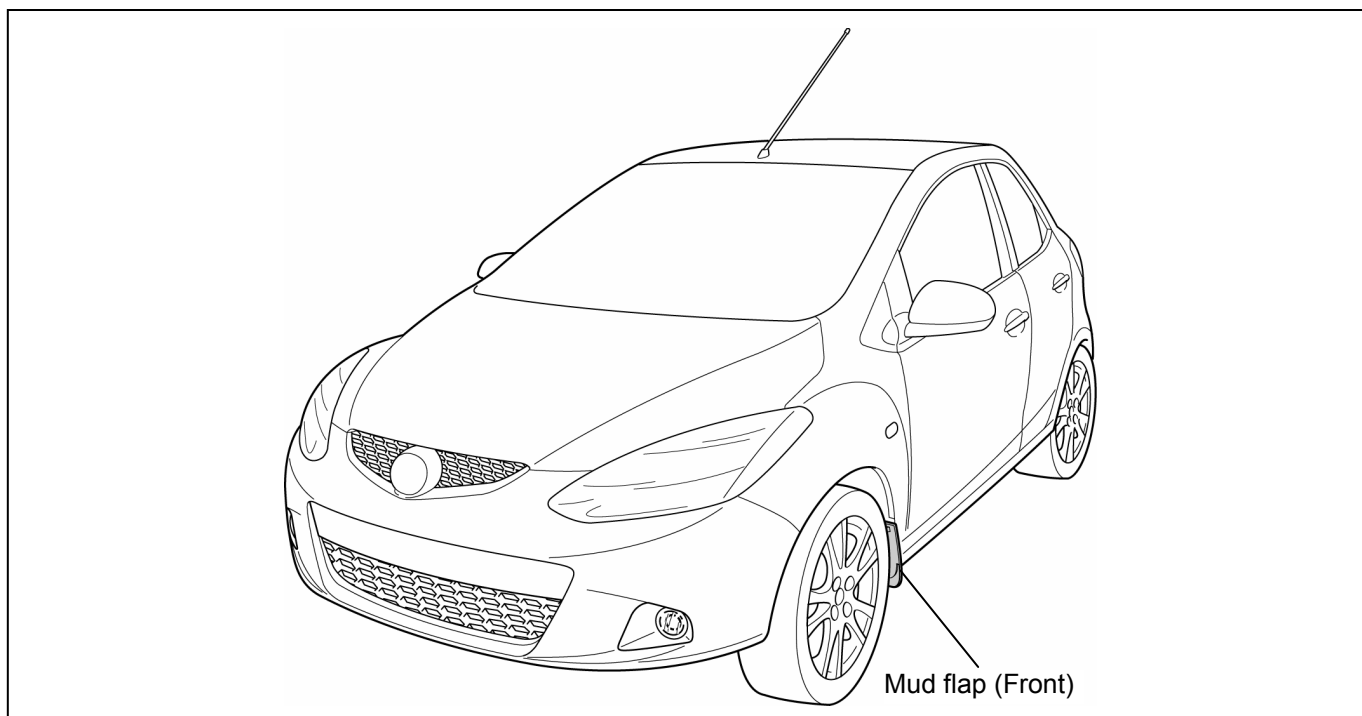
- Please turn over these instructions to the customer after installation.

To the customer

- Keep these instructions after installation. The instructions may be necessary for installing other optional parts or removal of this accessory.
- Should the vehicle or this accessory be resold, always leave these instructions with it for the next owner.

1. PARTS


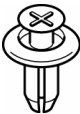
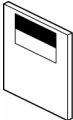
▼ Installation view



▼ Parts list

NOTE

- Before installation, verify that the kit includes all the following parts and that they are free of dirt, scratches, or damage.

Part	Part name	Part number	Qty
	Mud flap (Front) (RH)	DF71 51 840	1
	Mud flap (Front) (LH)	DF71 51 850	1
	Fastener	B092 51 833	4
	Installation and user's instructions	—————	1

2. BEFORE INSTALLATION

■ REQUIRED TOOLS

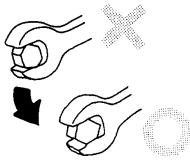
☆Screwdriver (Phillips) ☆Torque wrench ☆Jack ☆Protective sheet

⚠ WARNING

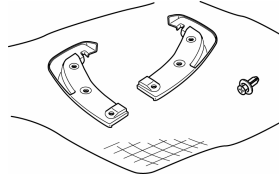
- Park the vehicle on a flat, level surface, set the selector lever to P (AT vehicles) or the shift lever to 1st or R (MT vehicles), apply the parking brake and block the wheels so that the vehicle does not move during installation.

⚠ CAUTION

Use the most appropriate (size, use) tool for each task and perform the may be damaged.



Place the removed parts and kit accessories on a protective sheet to prevent scratches.



⚠ CAUTION

- Always use a torque wrench when tightening screws and tighten to the specified torque. If tightened outside the specified torque, it could result in poor fit, part damage, or other damage.
- The mud flap (Front) is made of hard plastic. Handle it with care, as it may be deformed or discolored if it contacts solvents such as paint thinner or comes close to flame.

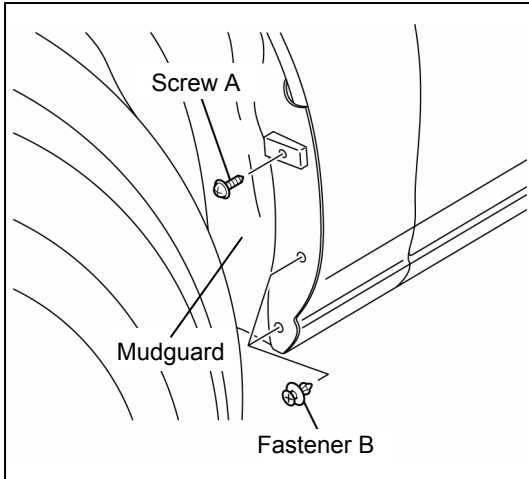
NOTE

- Refer to the applicable Workshop Manual for removal and installation of vehicle parts. Not following the procedures for removal/installation in the Workshop Manual could result in an accident or vehicle malfunction.

3. MUD FLAP (FRONT) INSTALLATION

NOTE

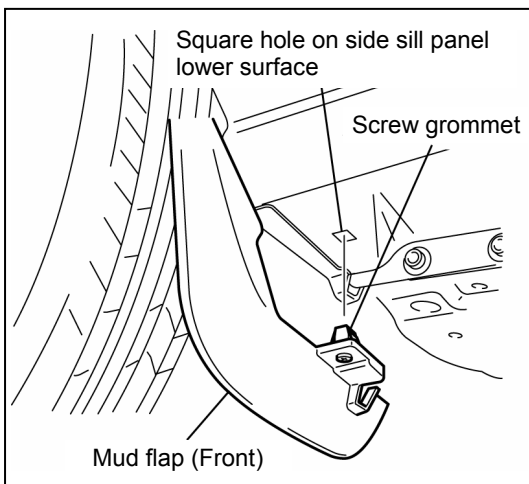
- The figure shows the left side, however, perform the same procedure for the right side.



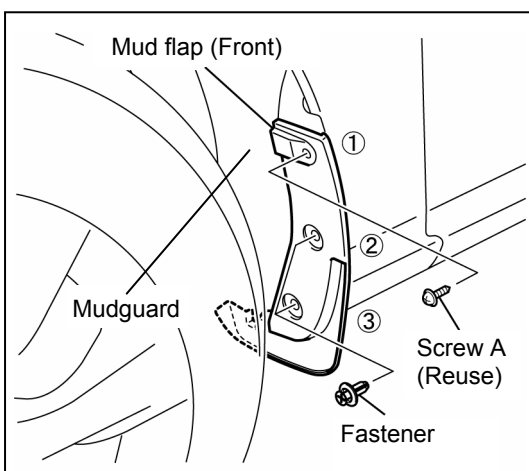
- Remove the mudguard installation screw A (1) and fastener B (2).

⚠ CAUTION

- The removed screw A (1) are to be reused. Be careful not to damage or lose them.
- The removed fastener B are not used to install this accessory.



- Insert the screw grommet of the mud flap (front) to the square hole on the side sill panel lower surface.



- Align the mud flap (front) with the mudguard installation holes.
- Temporarily tighten the re-useable screw A (1) and kit fastener (2).
- Install the mud flap (front) in the order shown in the figure on the left while pressing it against the front fender.

Tightening torque

Screw A : 1.2 – 2.2 N·m { 12.3 – 22.4 kgf·cm · 10.7 – 19.4 in·lbf }

⚠ CAUTION

- Make sure the screw A is tightened securely. Make sure to tighten to the specified torque. If tightened outside the specified torque, the mud flap (front) could be damaged or fall off.

4. CONFIRMATION AFTER INSTALLATION

1. Be sure that there are no excessive gaps.

- If there are any gaps, loosen the screw A and then retighten it in the order indicated in Step 5 of 3. MUD FLAP (FRONT) INSTALLATION, while pressing the mud flap (front) against the front fender.

2. Be sure that all screw A and fasteners are securely tightened.

5. MUD FLAP (FRONT) PRECAUTIONS

CAUTION

- If gasoline, engine coolant, or battery fluid adheres to the painted surface of the resin parts, it will cause discoloration, stains. Wipe it off with a soft cloth immediately.
- Don't drive through an automatic car wash; it may damage the mud flap (front).
- If the vehicle height is lowered due to the vehicle being at maximum passenger or cargo capacity, decrease the vehicle speed when parking on a road shoulder or entering/leaving a road shoulder or bump. Otherwise, the mud flaps (front) could be damaged.

**INSTALLATION
INSPECTION
SHEET**

MAZDA2	MUD FLAP (FRONT)
	D651 V3 450G DR61 V3 450

Inspection after installation

- Inspect the installed / reinstalled parts for the following items.

Inspection Parts	Check Item (○)			
	Clearance/Fit	Scratches / Dirt	Installation / Engagement	Screw, fastener tightening
Mud flap (Front)	○	○	○	○
Mudguard	○	○	○	○

Installation inspection sheet for mud flap (Front)

Date _____, _____, _____				
VIN. _____				
Approved		Checked		Person in charge

The term of validity for this sheet: 12 months