

GENUINE CARGO NET

INSTALLATION AND USER'S INSTRUCTIONS

Thank you for purchasing a genuine Mazda accessory.



Before removal and installation, be sure to thoroughly read these instructions.


Please read the contents of this booklet in order to properly install and use the cargo net.


Your safety depends on it.

Keep these instructions with your vehicle records for future reference.

WARNING

- There are several  **WARNING** and  **CAUTION** sections in this booklet concerning safety when installing or removing the cargo net. Always read and follow them in order to prevent injuries, accidents, and possible damage to the vehicle.

 **WARNING:** Indicates a situation in which serious injury or death could result if the warning is ignored.

 **CAUTION:** Indicates a situation in which bodily injury or damage to the vehicle could result if the caution is ignored.

- For areas indicating the tightening torque in this instruction manual, tighten to the specified torque using a torque wrench. For areas in which the tightening torque is indicated inside parentheses (), the tightening torque is indicated as a reference value, however tightening using a torque wrench is not necessary.
- Do not modify the cargo net.
- Do not install the cargo net in any way other than described in the following instructions.
- If in any doubt, please ask your Mazda dealer to install the accessory in order to prevent errors in installation.
- If you have any questions about the use of the accessory, ask your Mazda dealer for proper advice before using it.
- Mazda and its suppliers are not responsible for injuries, accidents, and damage to persons and property that arise from the failure of the dealer or installer to follow these instructions.
- To ensure safety and reliability of the work, installation, removal and disposal work done by an Authorized Mazda Dealership is recommended.
- Be careful not to lose removed parts, and be sure that they are kept free from scratches, grease or other dirt.

PART NAME: CARGO NET
PART NUMBER: 0000-8K-R31
VEHICLE: MAZDA CX-5

NOTE

To the dealer

- Please turn over these instructions to the customer after installation.

To the customer

- Keep these instructions after installation. The instructions may be necessary for installing other optional parts or removal of this accessory.
- Should the vehicle or this accessory be resold, always leave these instructions with it for the next owner.



GENUINE ACCESSORIES
INSTALLATION INSTRUCTIONS

PART NUMBER:
0000-8K-R31

CARGO NET

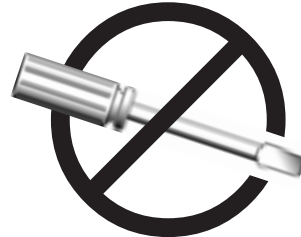
APPLICABLE MODELS:
2016 > MAZDA CX-5

PACKAGE CONTENTS

Cargo Net
Installation Instructions
Inspection Sheet

SPARE PARTS (available separately)
Hardware Kit (Part Number 0000-8K-S02)
Clip Hooks: Qty 4

TOOLS REQUIRED



1 Installing Net

1. Open lift gate.
2. Locate the two mounting locations on the passenger side of the vehicle as indicated by the arrows (Fig. 1).
3. Repeat for the driver's side of the vehicle.

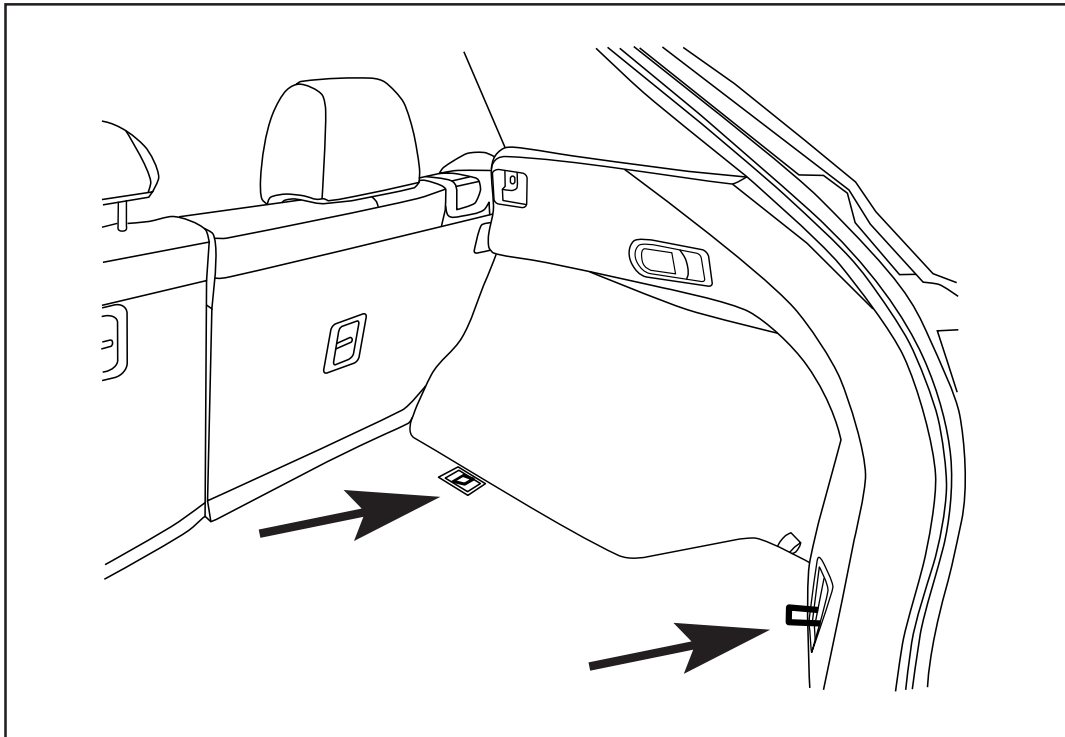


Fig. 1

2 Installing Net - (Cont.)

4. Attach the front hook to the front ring and repeat for the other side of the vehicle (Fig. 2).
5. Attach the rear hook to the rear ring and repeat for the other side of the vehicle (Fig. 3).
6. For proper installation of the cargo net, pull tab must be located at the rear of the vehicle facing, upwards.
7. Confirm the completed assembly (Fig 4).

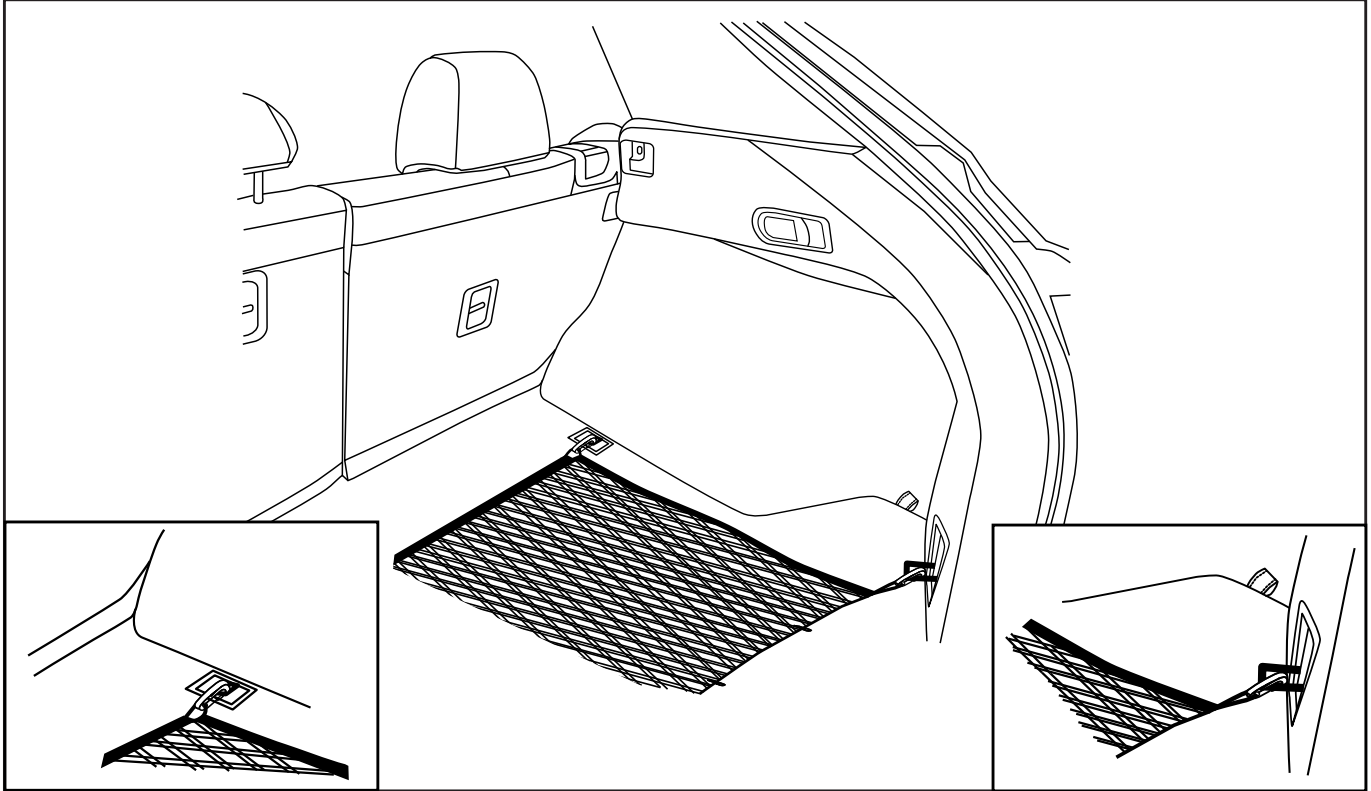


Fig. 2

Fig. 3

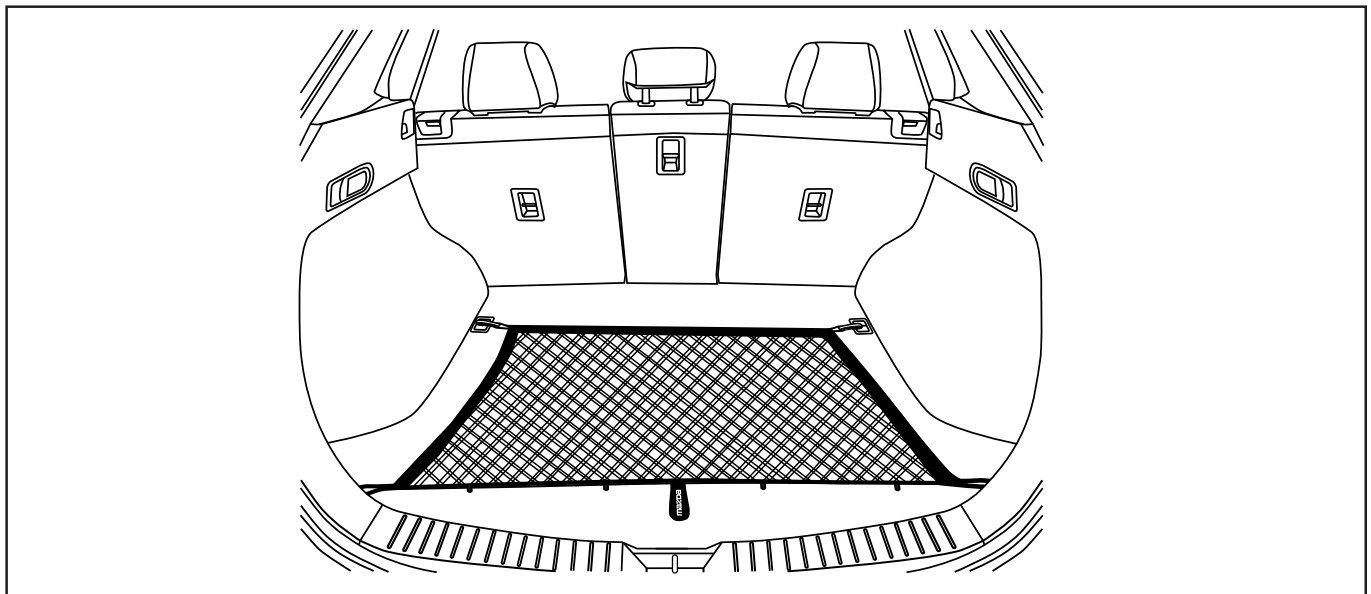


Fig. 4

3 Use of Net Clips

1. Locate the four hook clips located along the top of the cargo net (Fig.5).
2. Grasp the bungee cord adjacent to the hook clip and wrap two or three fingers around to hold it securely as shown (Fig.6).
3. With the same hand, use your index finger and thumb to hold the hook clip.
4. Grasp the bungee cord with the other hand and slide the cord to fasten it to the clip.
To unfasten, pull the bungee cord away out of the clip.

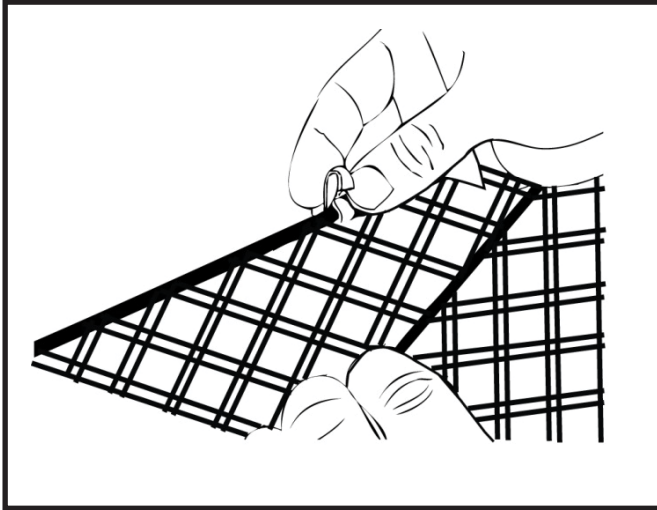


Fig. 5

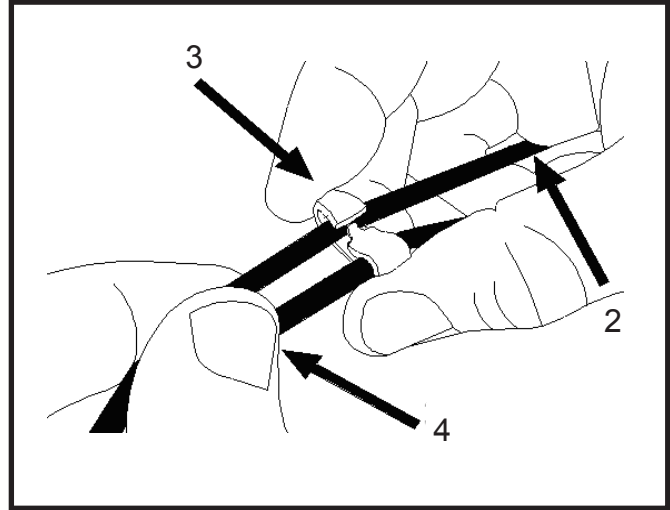


Fig. 6

4 Cleaning and Care

1. Hand wash using mild soap and warm water.
2. Do not machine wash.



WARNING: OBJECT(S) RESTRAINED NOT TO EXCEED 30 lbs. (13.6 kg)

CARGO NET INSPECTION SHEET

- Inspect the installed/reinstalled parts for the following items.
- Inspection parts differ depending on the vehicle body style.

CX-5

| Inspection Parts | Inspection Items (●) | | | |
|------------------|----------------------|------------------|------------------------------------|-----------------|
| | Clearance/Fit | Scratches/Debris | Installation/Tightening/Engagement | Operation Check |
| Cargo Net | ● | | ● | ● |
| Net Clips | ● | | ● | ● |

● = Applicable

| | | | | | |
|--------------------------|--|---------|--|------------------|--|
| Date _____, _____, _____ | | | | | |
| Vehicle. _____ | | | | | |
| VIN. _____ | | | | | |
| Approved | | Checked | | Person in charge | |