

Mazda
GENUINE ACCESSORIES
INSTALLATION INSTRUCTIONS

PART NUMBER:
0000-8K-L30

CARGO NET

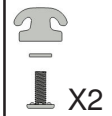
APPLICABLE MODELS:
2010> MAZDA3 SEDAN

PACKAGE CONTENTS

Cargo Net
Installation Instructions
Hardware Kit (Part Number: 0000-8K-L32)



Anchor Assy



T-Anchor
Plastic Retention Clip
Weld Stud

TOOLS REQUIRED

Small flat-tip screwdriver

1 Remove Trim Plugs, Carpet & Trunk Sill Plate

1. Open trunk.
2. Locate 4 plastic fasteners on trim inside trunk, 2 each side.
3. Using a small screwdriver, remove the plastic fasteners by prying out the center. (Fig. 1)

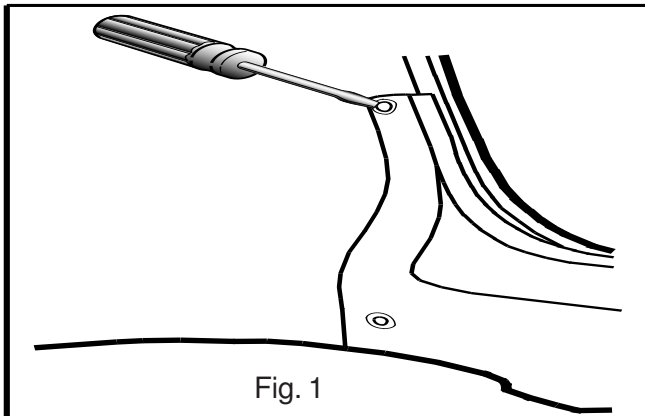


Fig. 1

4. Remove the trunk floor and place out of the way. (Fig. 2)
5. Remove the right side foam panel. (Fig.3)
6. Push the left side foam panel forward so trunk sill plate can be removed. (Fig.4)
7. Grasp the trunk sill plate and pull up to remove. (Fig. 5)

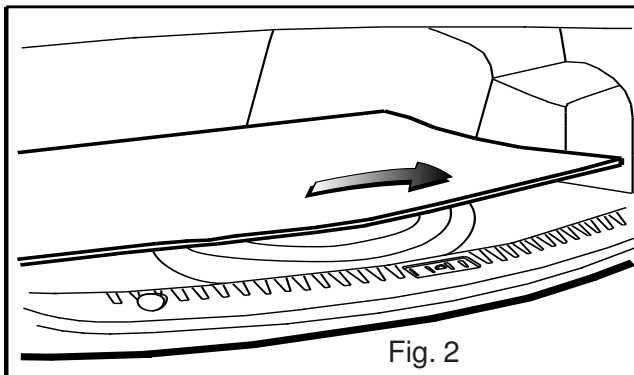


Fig. 2

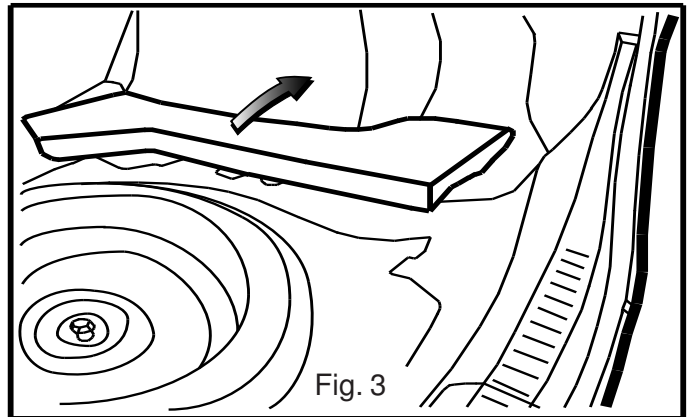


Fig. 3

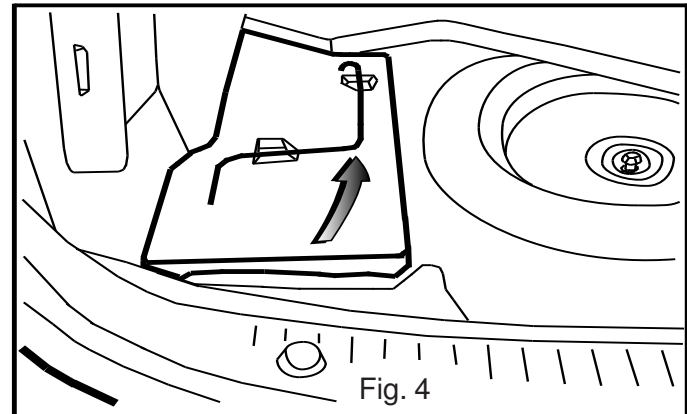


Fig. 4

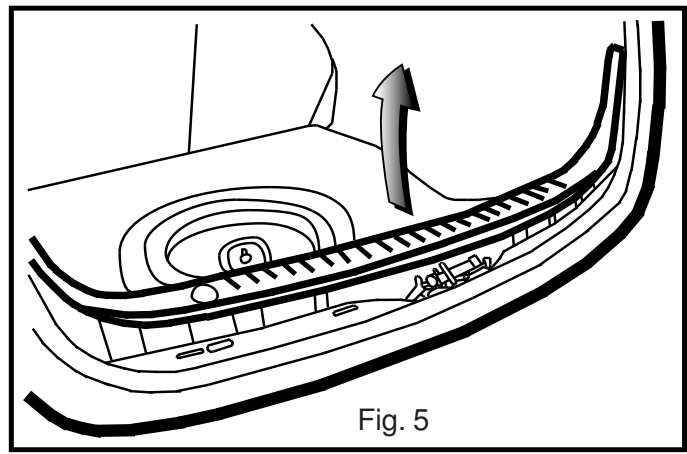


Fig. 5

2

Install Hardware

8. Locate 2 plastic fasteners on trunk fabric liner, 1 each side.
9. Using a small screwdriver, remove the plastic fasteners by prying out the center. Retain for reuse. (Fig. 6)
10. Pull trunk fabric liner from trunk wall and insert weld stud through lowest hole in the fabric liner on each side. (Fig. 6A)
11. While holding stud in place, snap plastic retention clip over weld stud from front to secure in place, each side. (Fig. 6B)
12. Place trunk fabric liner in place and reinsert plastic fasteners and push center pin in until flush, each side. (Fig. 6B)

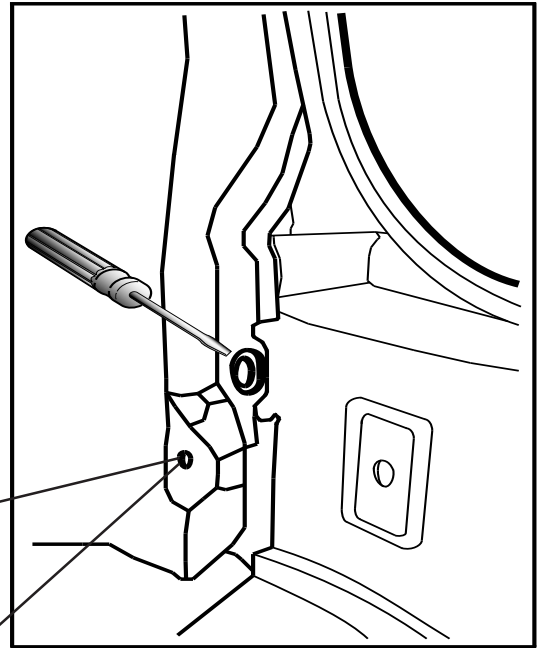


Fig. 6

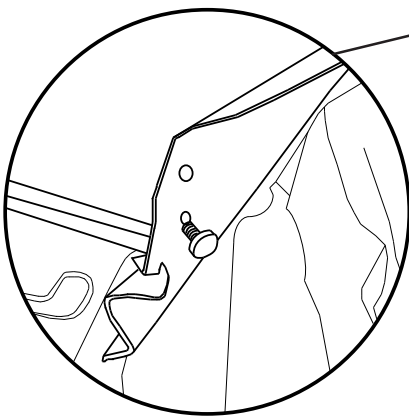


Fig. 6A

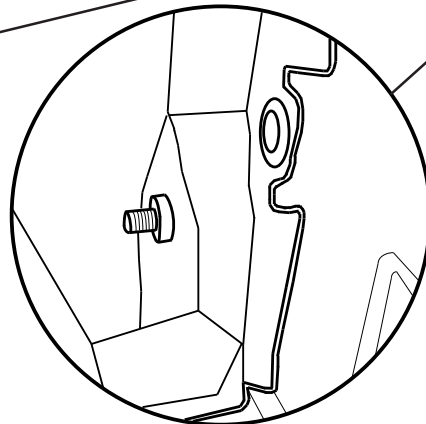


Fig. 6B

13. Install the trunk sill plate. Exercise care to properly line up the vertical alignment pins located in the center of the sill. Align the weld studs with the holes in sill plate. Once the weld studs are through the holes pull sill plate back into position and push down to engage fasteners. (Fig. 7)
14. Screw the T-Anchor onto the weld stud using light pressure to get threads started. Once started, you should pull out lightly while tightening. Ensure T-Anchor is in the up/down position when tight. (Fig. 7A)

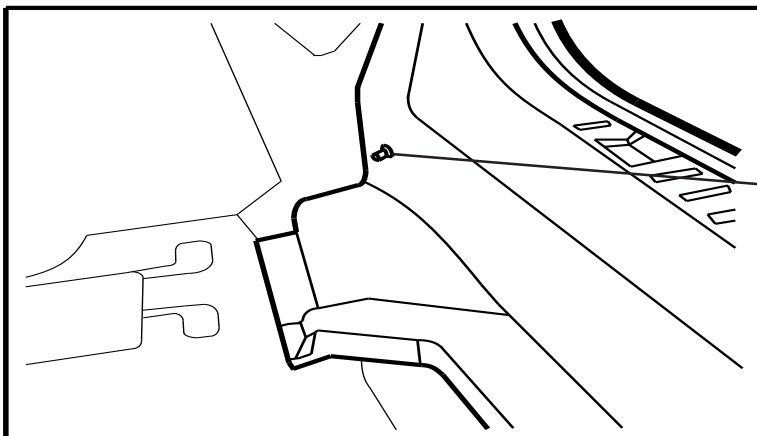


Fig. 7

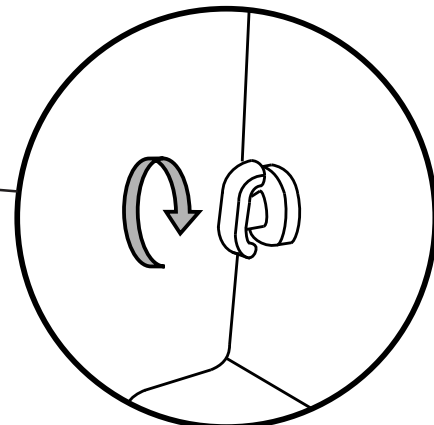


Fig. 7A

15. Install the T-Anchors from Anchor Assy with the self-tapping screws in the upper opening, each side. May require slight force to begin. Tighten snugly and ensure the T-Anchor is in the up/down position when tight. Do not tighten excessively. (Fig. 8A)

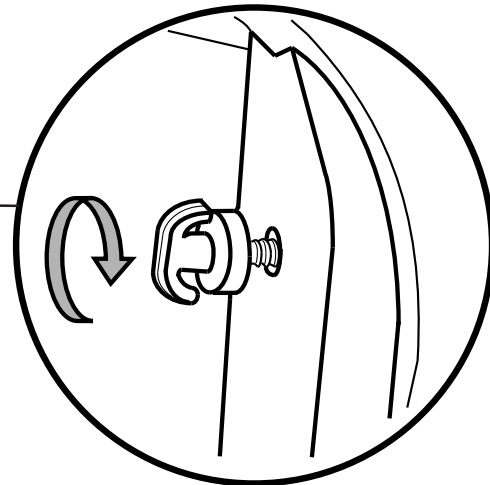
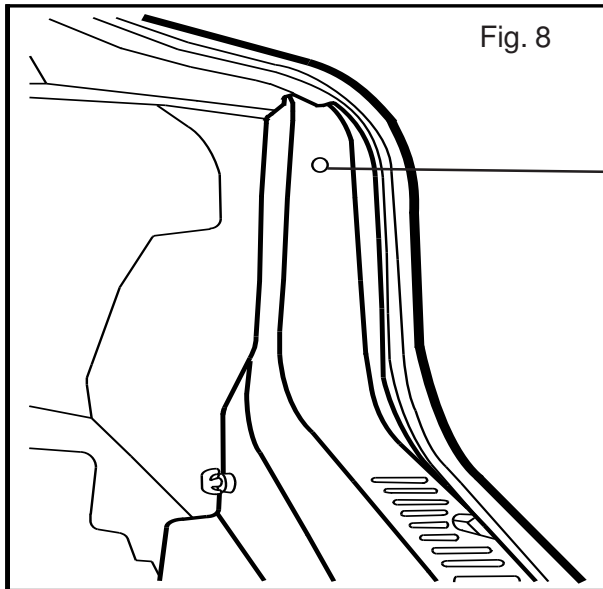


Fig. 8A

16. Replace right side foam panel, left side foam panel and then trunk floor.

3 *Install Cargo Net*

17. Install the cargo net by pulling each corner bungee loop around T-Anchors. (Fig. 9A) Ensure the cargo net opening is in the up position and the pull handle is facing rearward. (Fig 9)

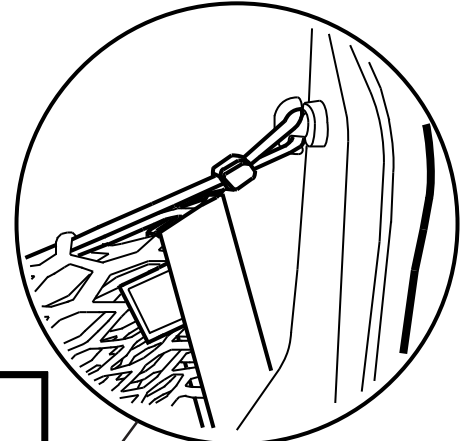


Fig. 9A

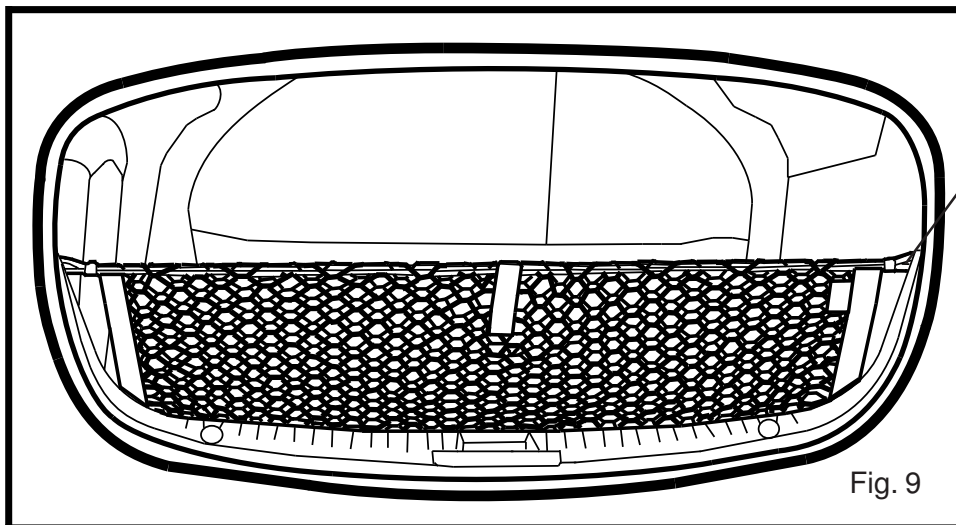


Fig. 9