

# GENUINE CARGO NET

## INSTALLATION AND USER'S INSTRUCTIONS

Thank you for purchasing a genuine Mazda accessory.



Before removal and installation, be sure to thoroughly read these instructions.


Please read the contents of this booklet in order to properly install and use the cargo net.


Your safety depends on it.

Keep these instructions with your vehicle records for future reference.

### **WARNING**

- There are several  **WARNING** and  **CAUTION** sections in this booklet concerning safety when installing or removing the cargo net. Always read and follow them in order to prevent injuries, accidents, and possible damage to the vehicle.

 **WARNING:** Indicates a situation in which serious injury or death could result if the warning is ignored.

 **CAUTION:** Indicates a situation in which bodily injury or damage to the vehicle could result if the caution is ignored.

- For areas indicating the tightening torque in this instruction manual, tighten to the specified torque using a torque wrench. For areas in which the tightening torque is indicated inside parentheses ( ), the tightening torque is indicated as a reference value, however tightening using a torque wrench is not necessary.
- Do not modify the cargo net.
- Do not install the cargo net in any way other than described in the following instructions.
- If in any doubt, please ask your Mazda dealer to install the accessory in order to prevent errors in installation.
- If you have any questions about the use of the accessory, ask your Mazda dealer for proper advice before using it.
- Mazda and its suppliers are not responsible for injuries, accidents, and damage to persons and property that arise from the failure of the dealer or installer to follow these instructions.
- To ensure safety and reliability of the work, installation, removal and disposal work done by an Authorized Mazda Dealership is recommended.
- Be careful not to lose removed parts, and be sure that they are kept free from scratches, grease or other dirt.

**PART NAME: CARGO NET**  
**PART NUMBER: BCKAV0530**  
**VEHICLE: MAZDA3 4-DOOR**

#### **NOTE**

##### **To the dealer**

- Please turn over these instructions to the customer after installation.

##### **To the customer**

- Keep these instructions after installation. The instructions may be necessary for installing other optional parts or removal of this accessory.
- Should the vehicle or this accessory be resold, always leave these instructions with it for the next owner.



GENUINE ACCESSORIES  
INSTALLATION INSTRUCTIONS

PART NUMBER:  
BCKAV0530

CARGO NET

APPLICABLE MODELS:  
2019 > MAZDA3 4-DOOR

**PACKAGE CONTENTS**

Cargo Net  
Hardware Kit (Part Number TBD)  
    T-Anchors: Qty 4  
    Weld Stud: Qty 4  
Installation Instructions  
Inspection Sheet

**SPARE PARTS** (available separately)  
Hardware Kit (Part Number TBD)

**TOOLS REQUIRED**

Trim Plug Removal Tool  
Scissors  
CenterPunch  
Drill and Dill Bit

**1** Installing Net

1. Open trunk lid. Fold back seat down.
2. Locate the four mounting locations as indicated by the arrows (Fig. 1).

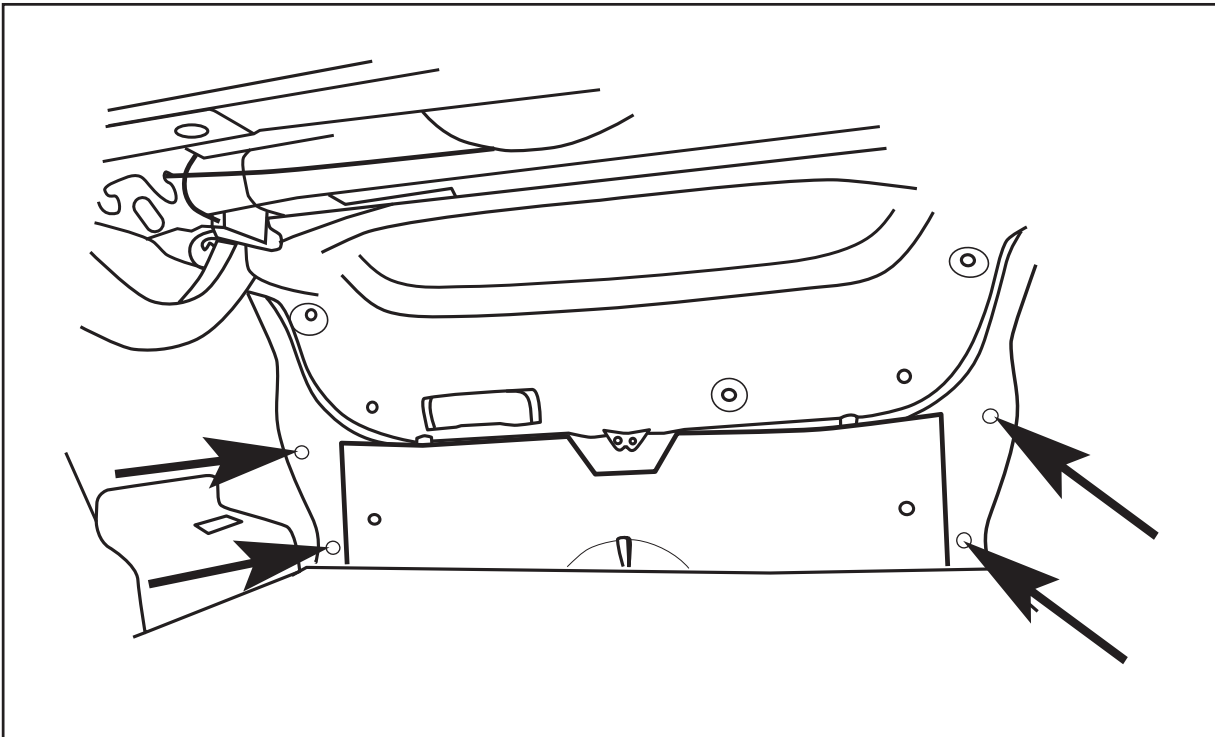


Fig. 1

## 2 Installing Net - (Cont.)

3. Remove load floor (Fig. 2).
4. Remove push-rivets from rear trunk panel (2 total) (Fig. 3).

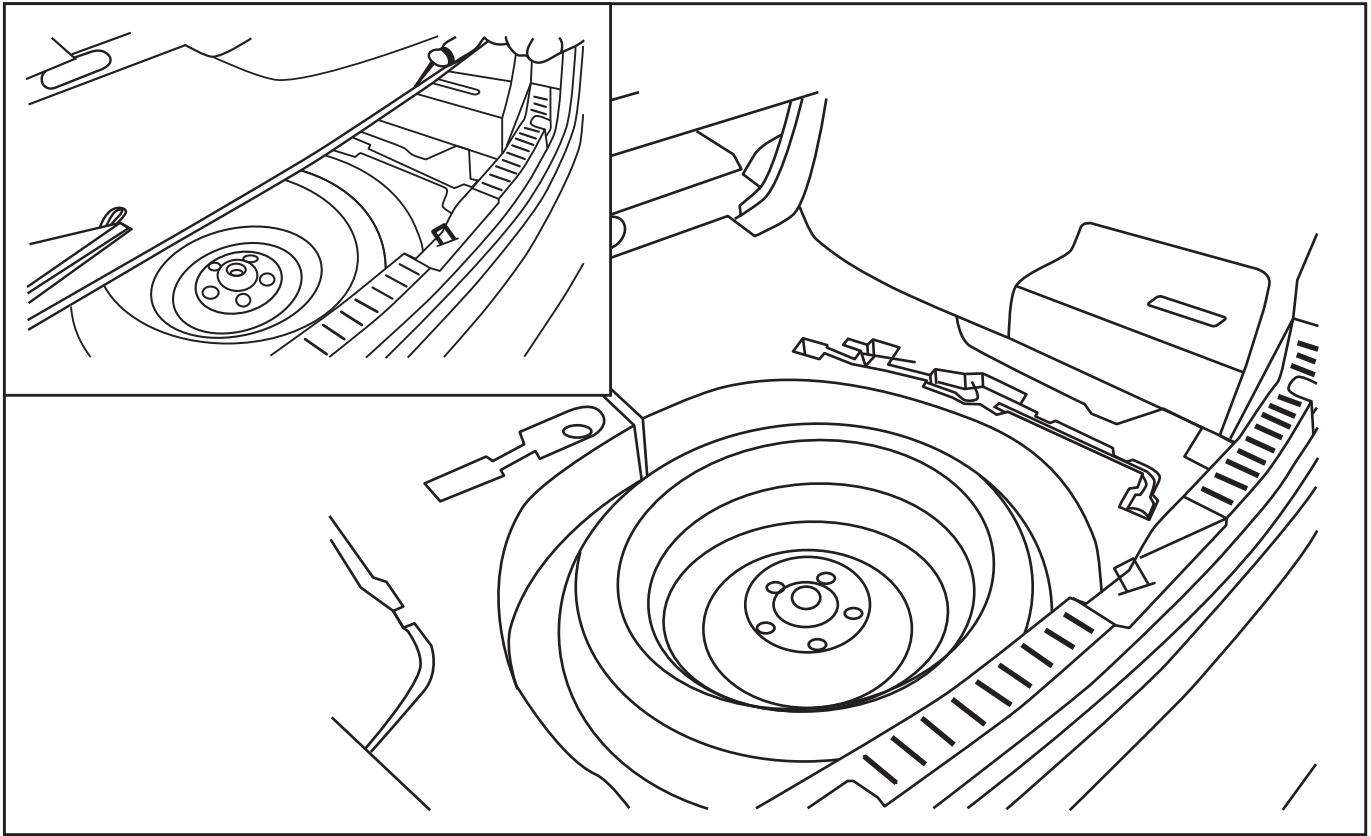


Fig. 2

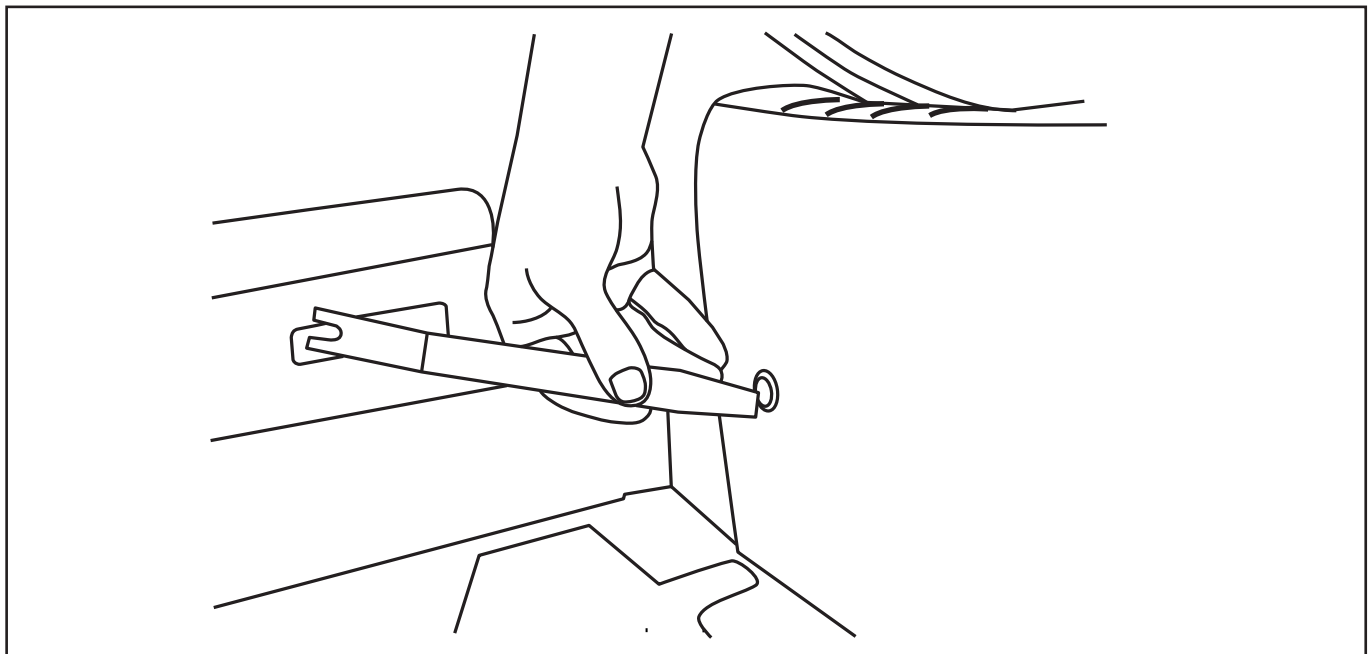


Fig. 3

## 2 Installing Net - (Cont.)

5. Cut out templates and pre-punch holes in template with a metal pick tool (Fig. 4).
6. Line up the vertical edge of each template with the edge of the rear trunk panel and secure with the push rivet. Using tape in the designated/marked areas of the templates, carefully attach to the side trunk panels (Fig. 5).
7. Using the metal pick tool, carefully punch pilot holes through the trunk panel only. **DO NOT DRILL THROUGH PILOT HOLES AT THIS TIME!**

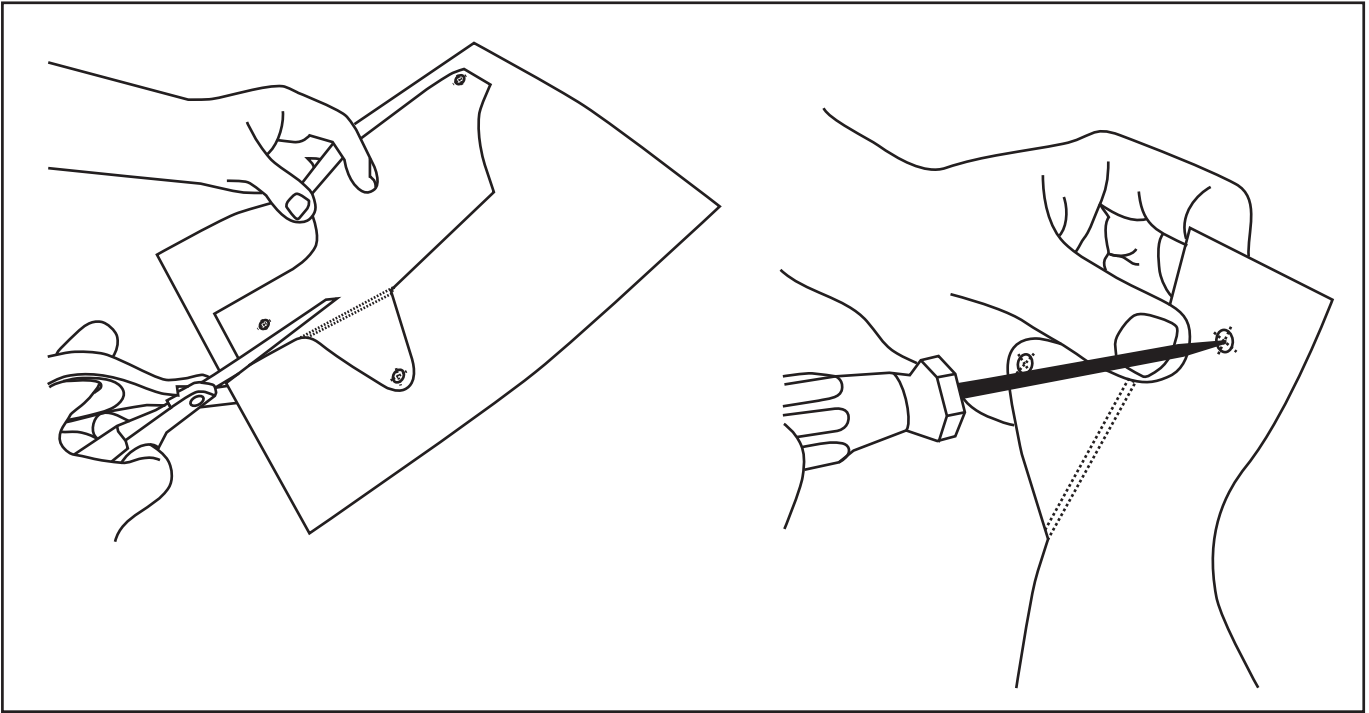


Fig. 4

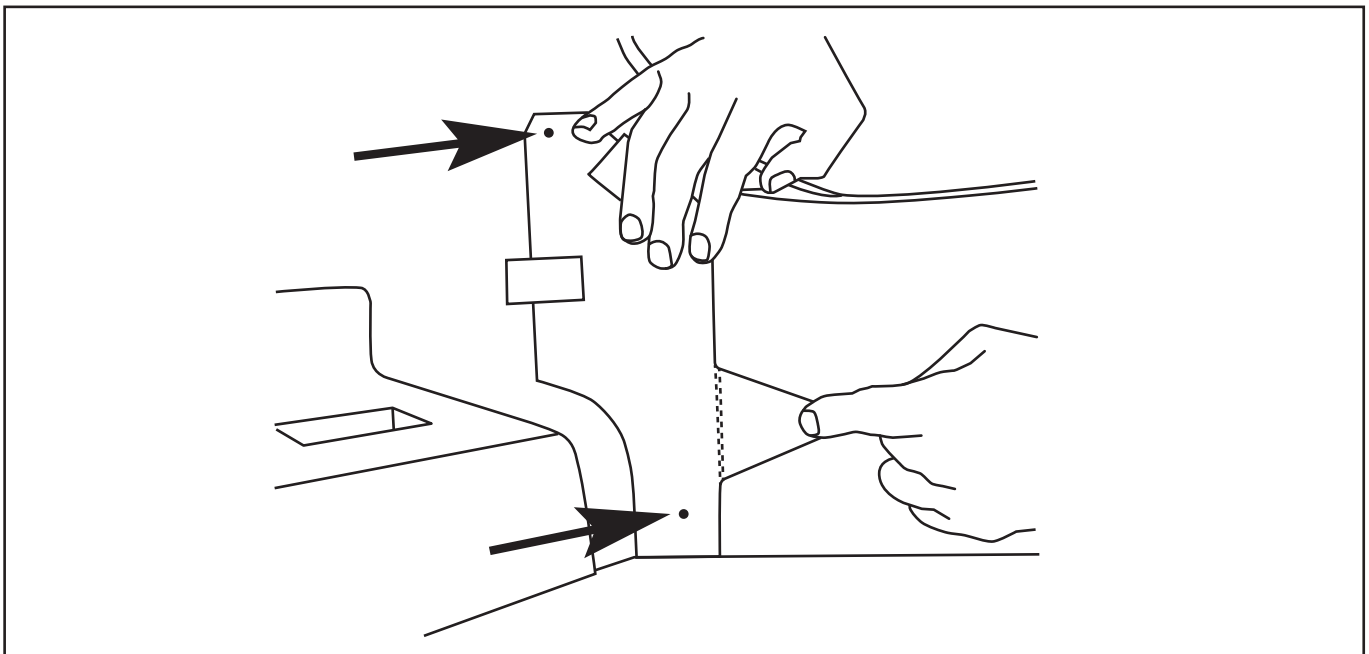


Fig. 5

## 2 Installing Net - (Cont.)

8. Remove push-rivets again and remove rear trunk panel – it should easily snap out (Fig. 6).
9. Remove foam pieces from trunk floor (Fig. 7).

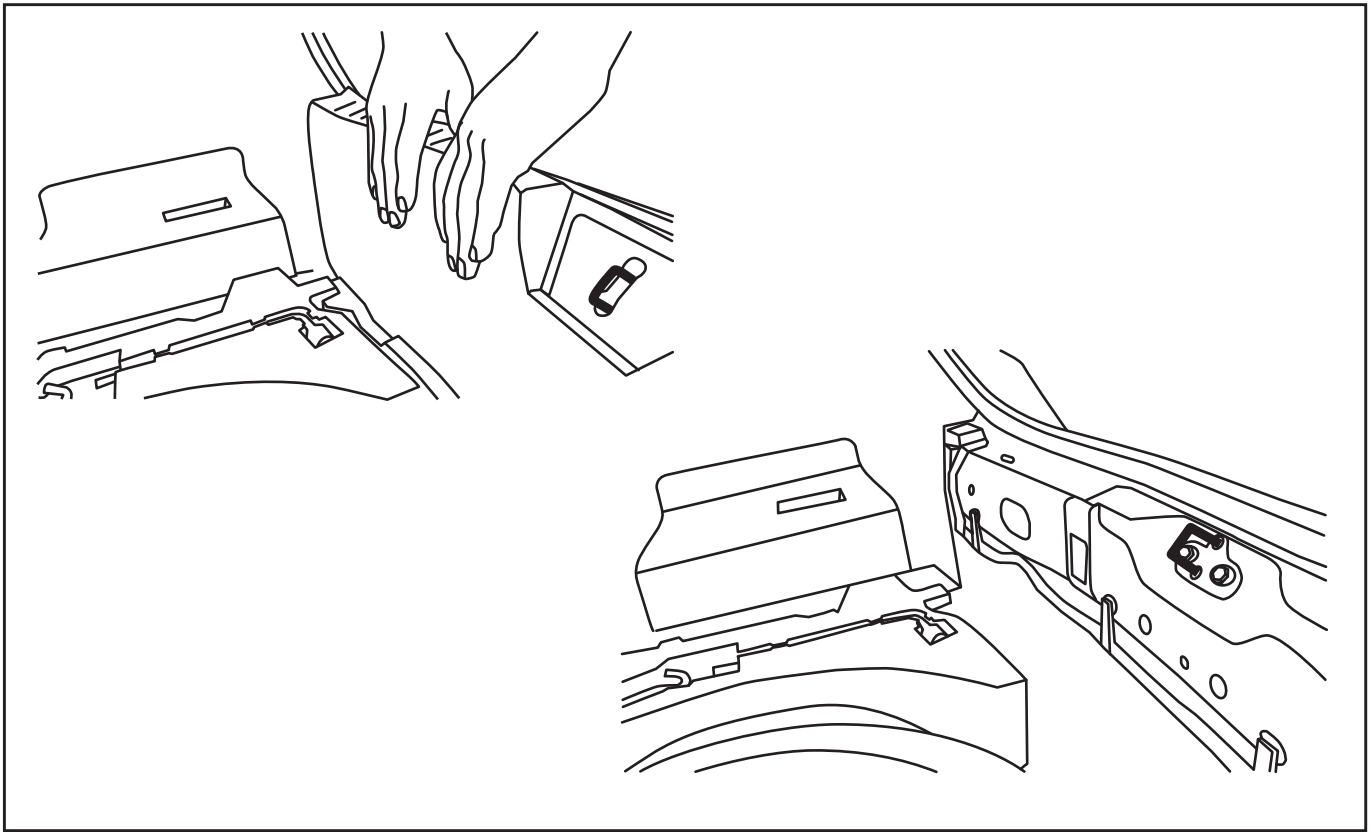


Fig. 6

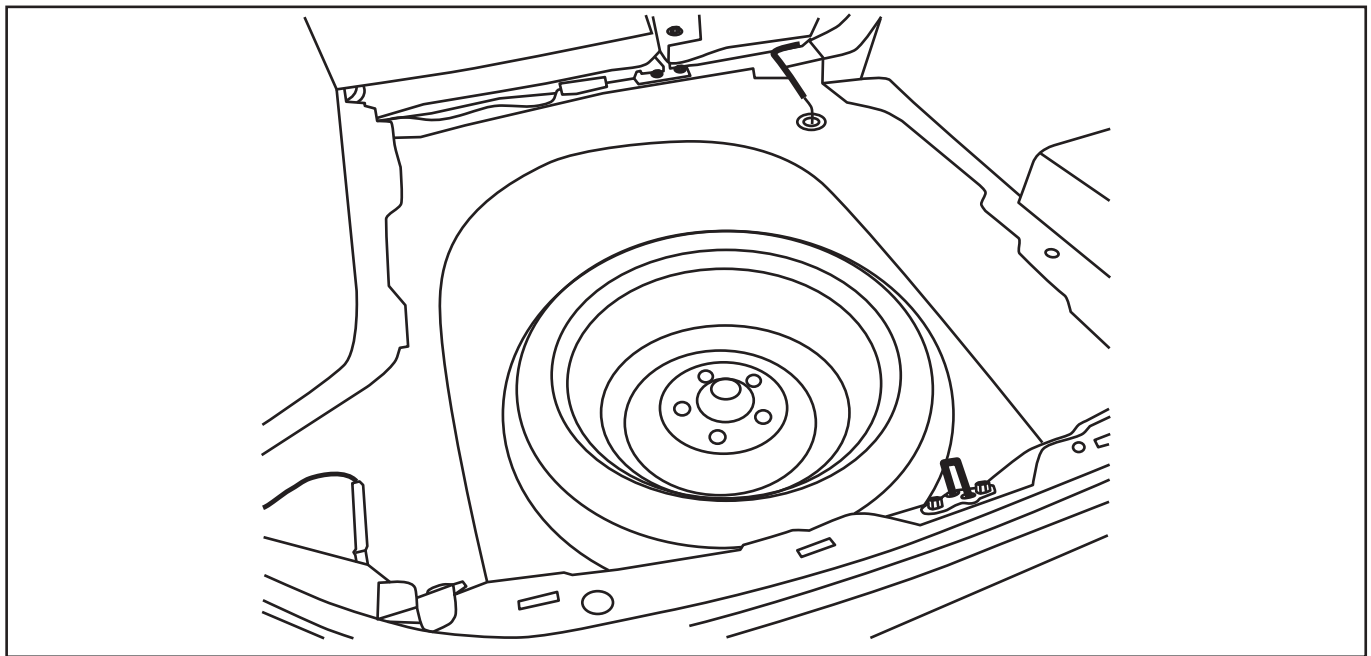


Fig. 7

## 2 Installing Net - (Cont.)

10. Remove plastic jack-cover panel (Fig. 8).
11. Remove push-rivets from right-hand trunk trim (4 total) (Fig. 9).

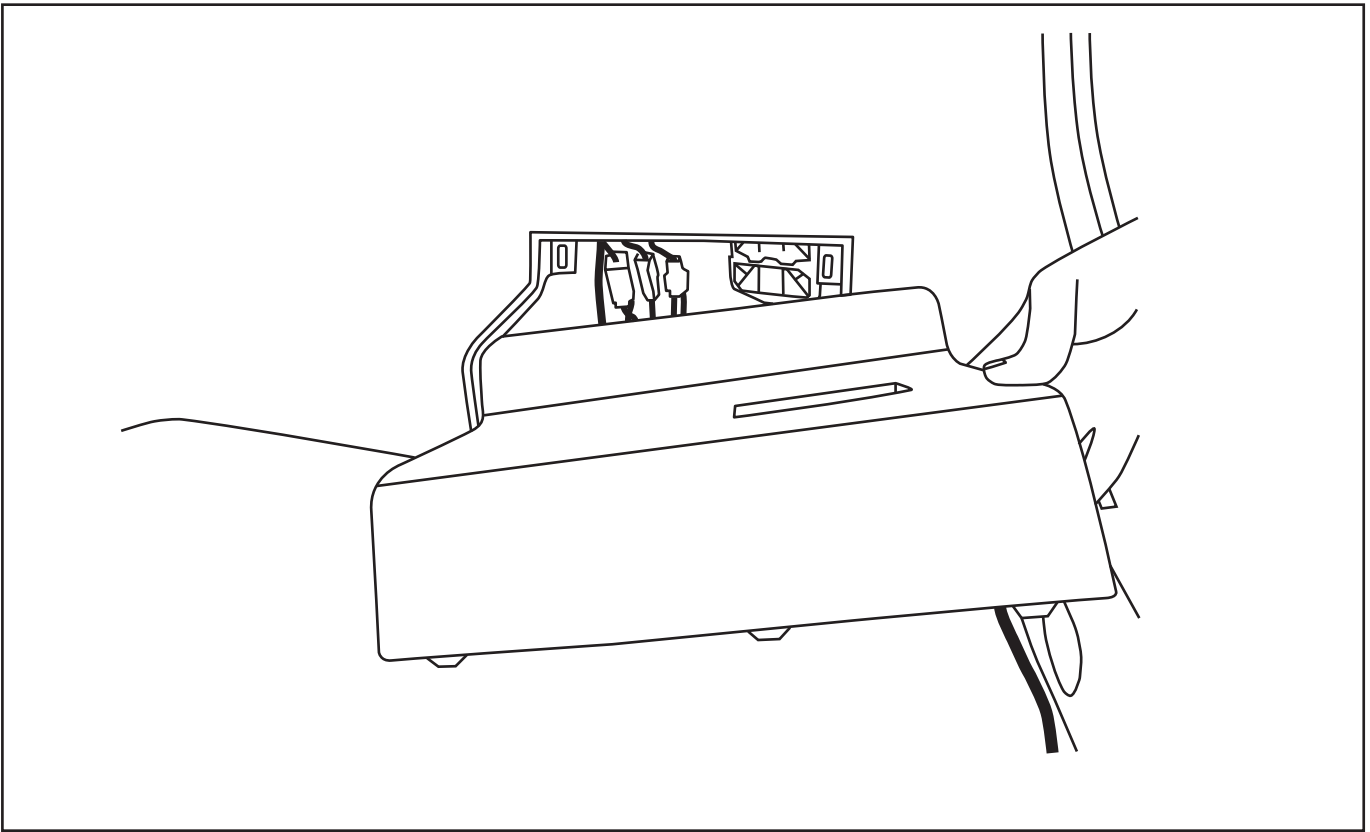


Fig. 8

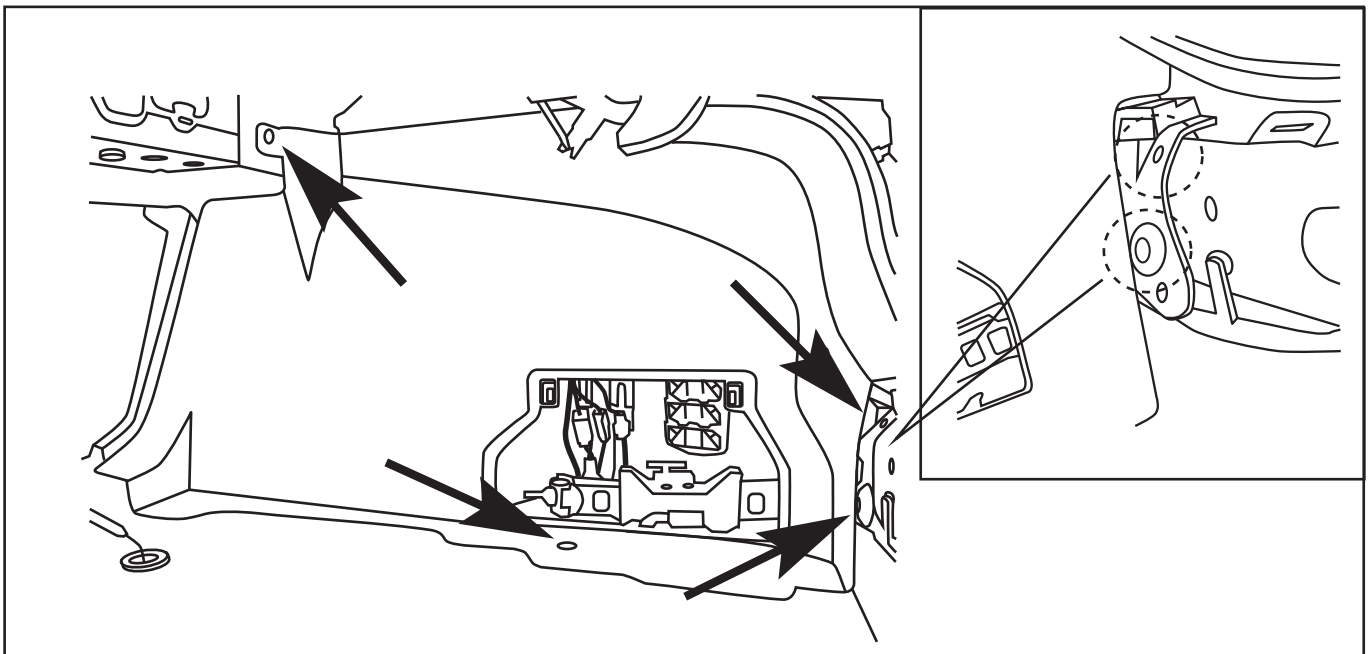


Fig. 9

## 2 Installing Net - (Cont.)

12. Remove right-hand trunk trim (Fig. 10).
13. Remove push-rivets from left-hand trunk trim (4 total) (Fig. 11).

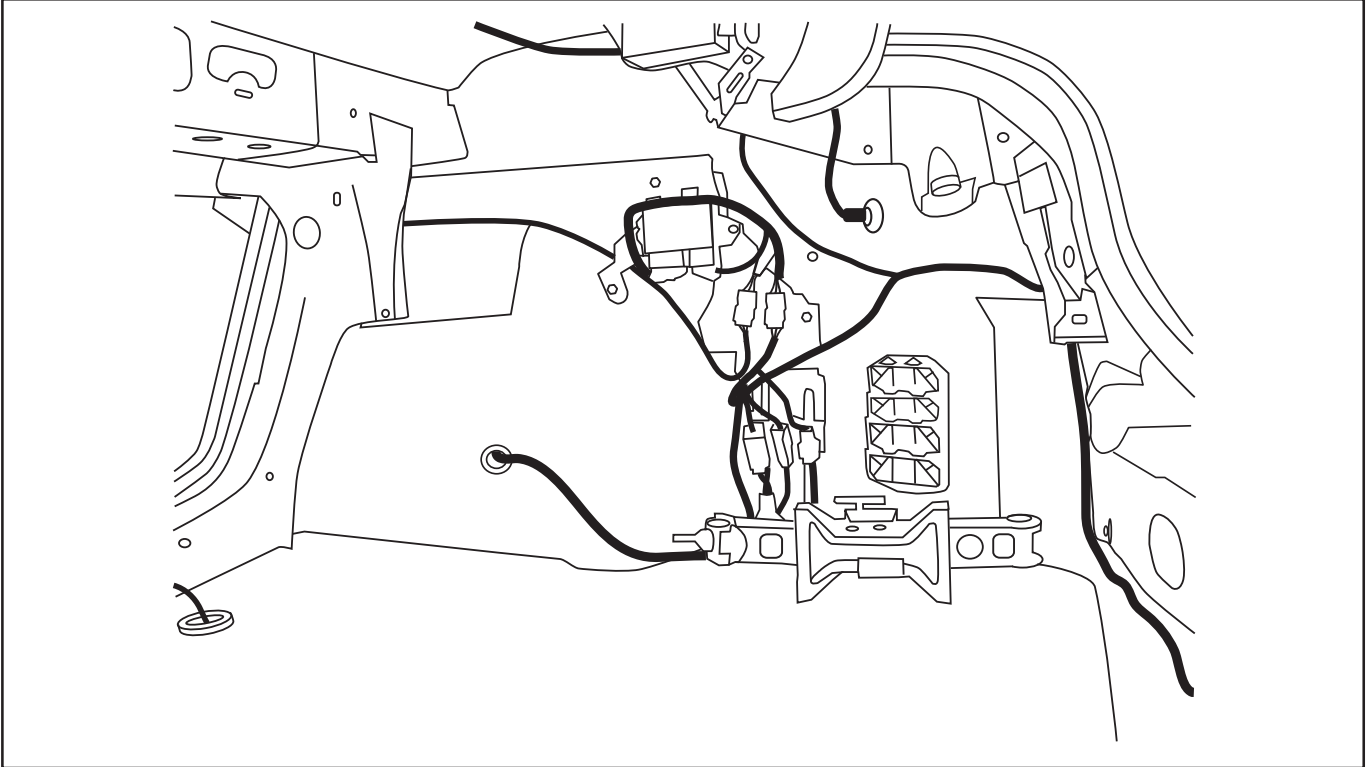


Fig. 10

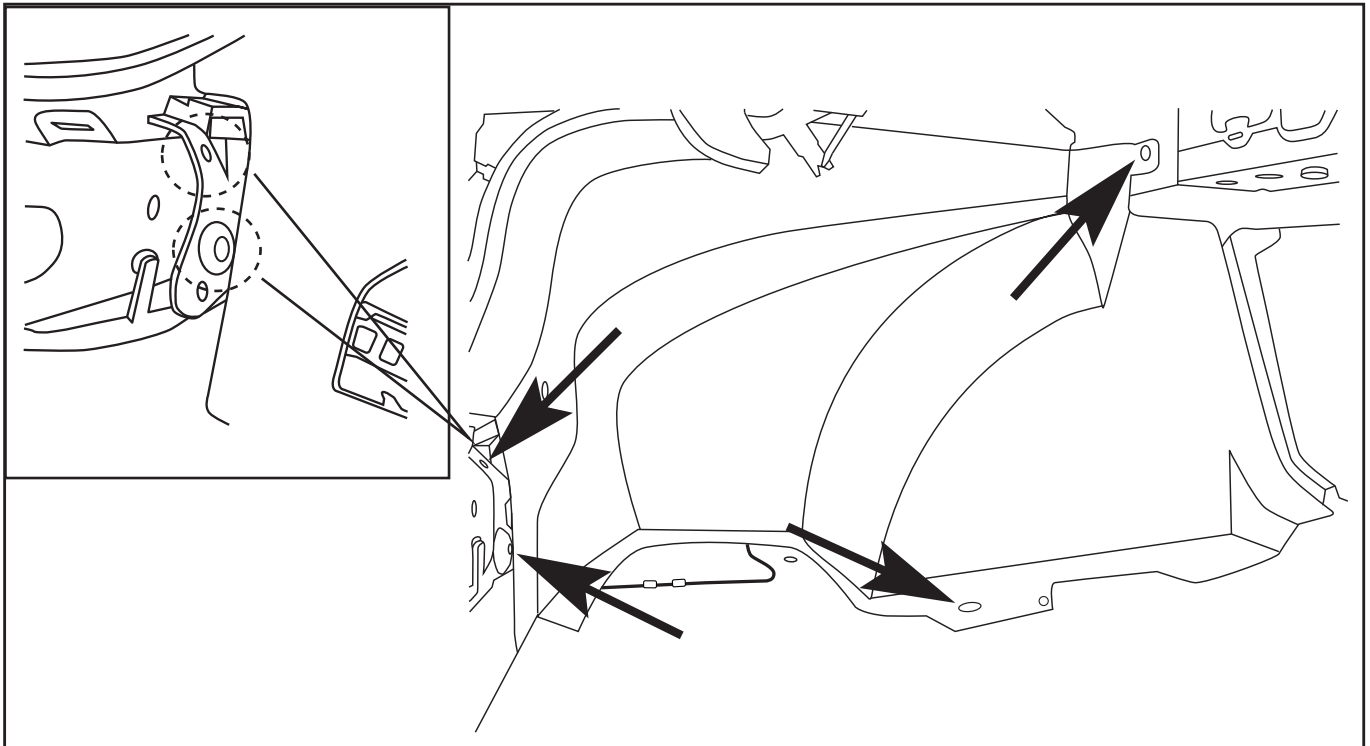


Fig. 11

## 2 Installing Net - (Cont.)

14. Remove left-hand trunk trim (Fig. 12).
15. Out of the car, drill through both pilot holes on each trunk trim panel with a 6mm or 1/4" drill (Fig. 13).

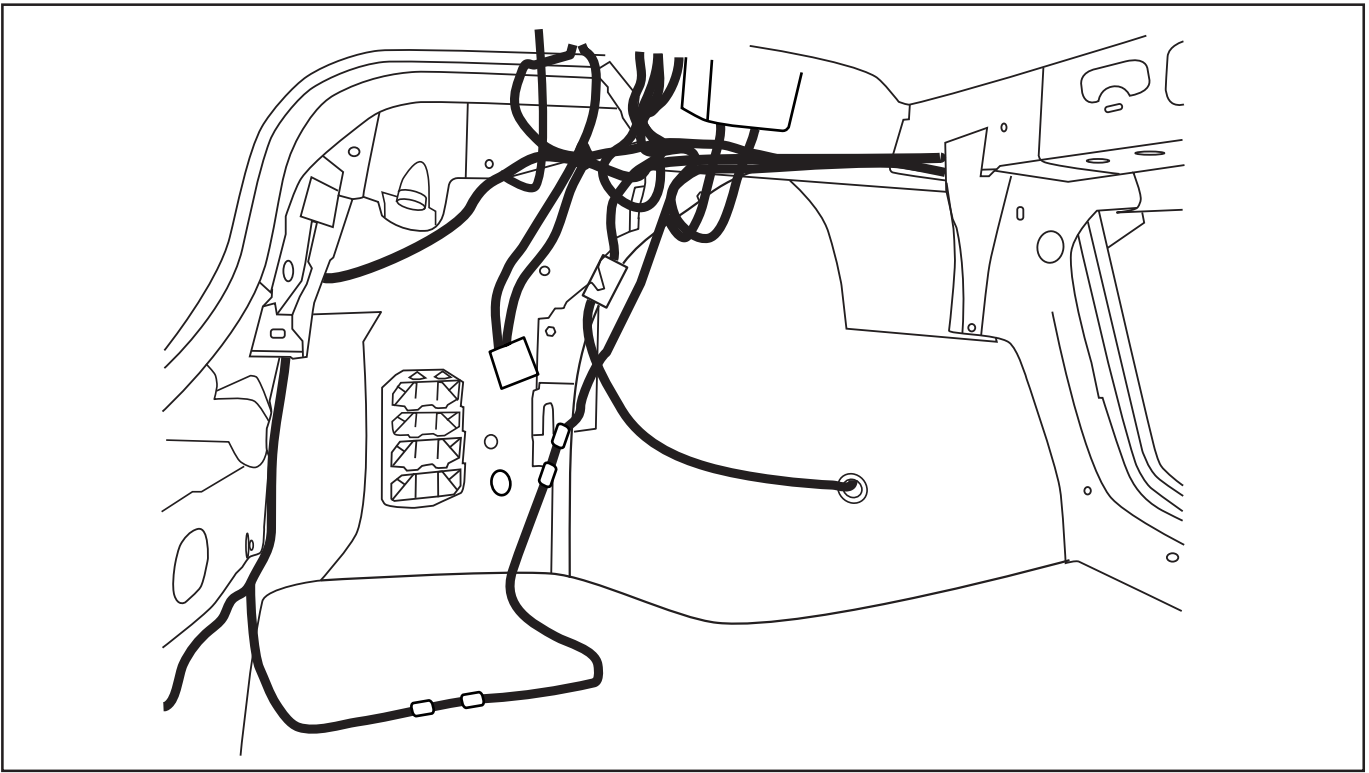


Fig. 12

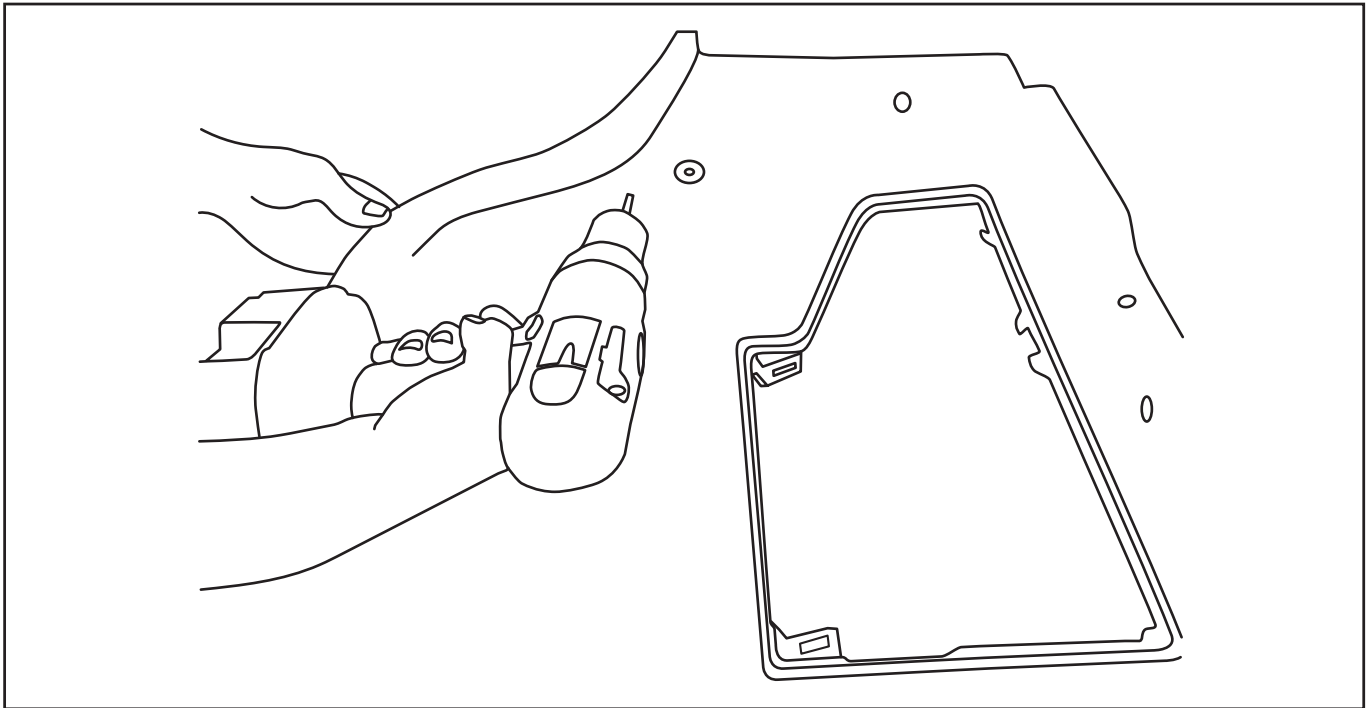


Fig. 13



## 2 Installing Net - (Cont.)

16. Assemble T-anchor and weld stud on each lower mounting location (Fig. 14).
17. Assemble T-anchor and weld stud on each upper location (Fig 15). T-anchors should be oriented vertically once the trim panels are back in the vehicle (Fig. 16).

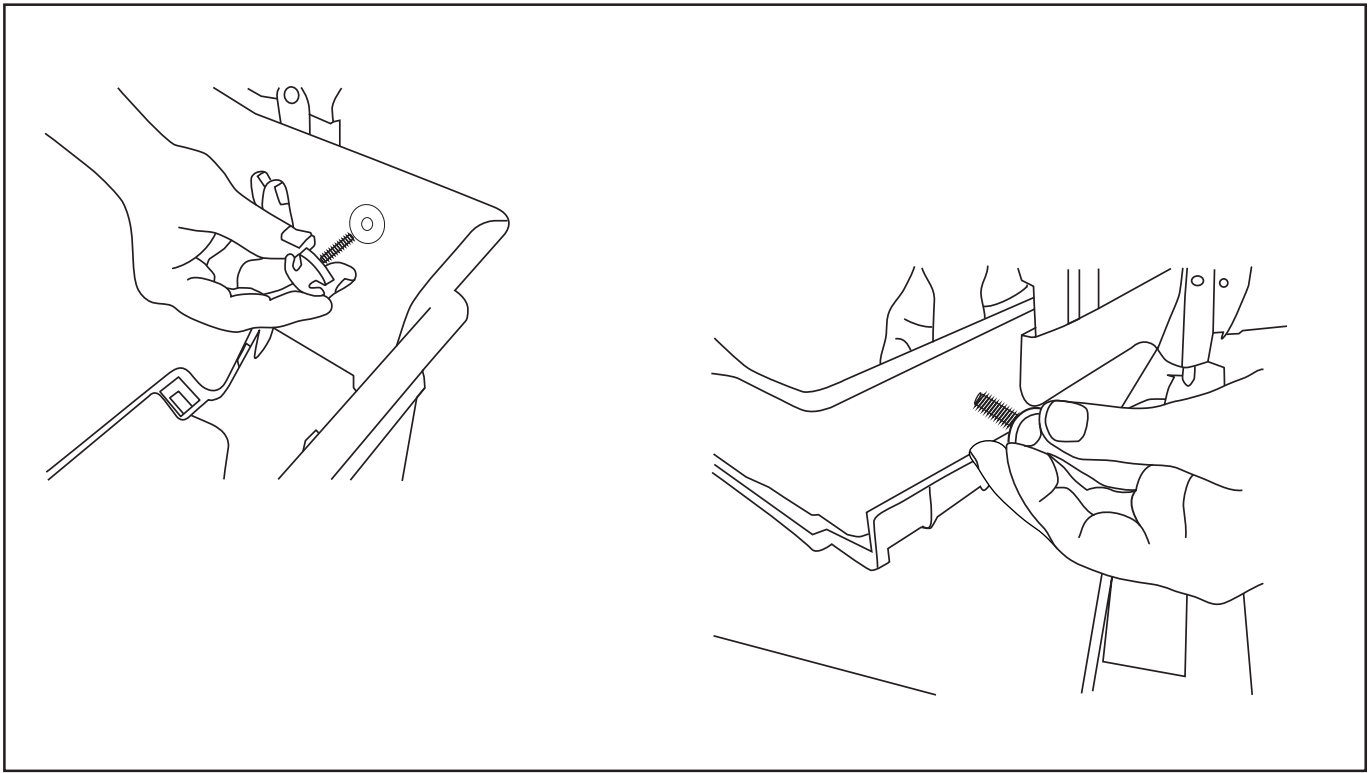


Fig. 14

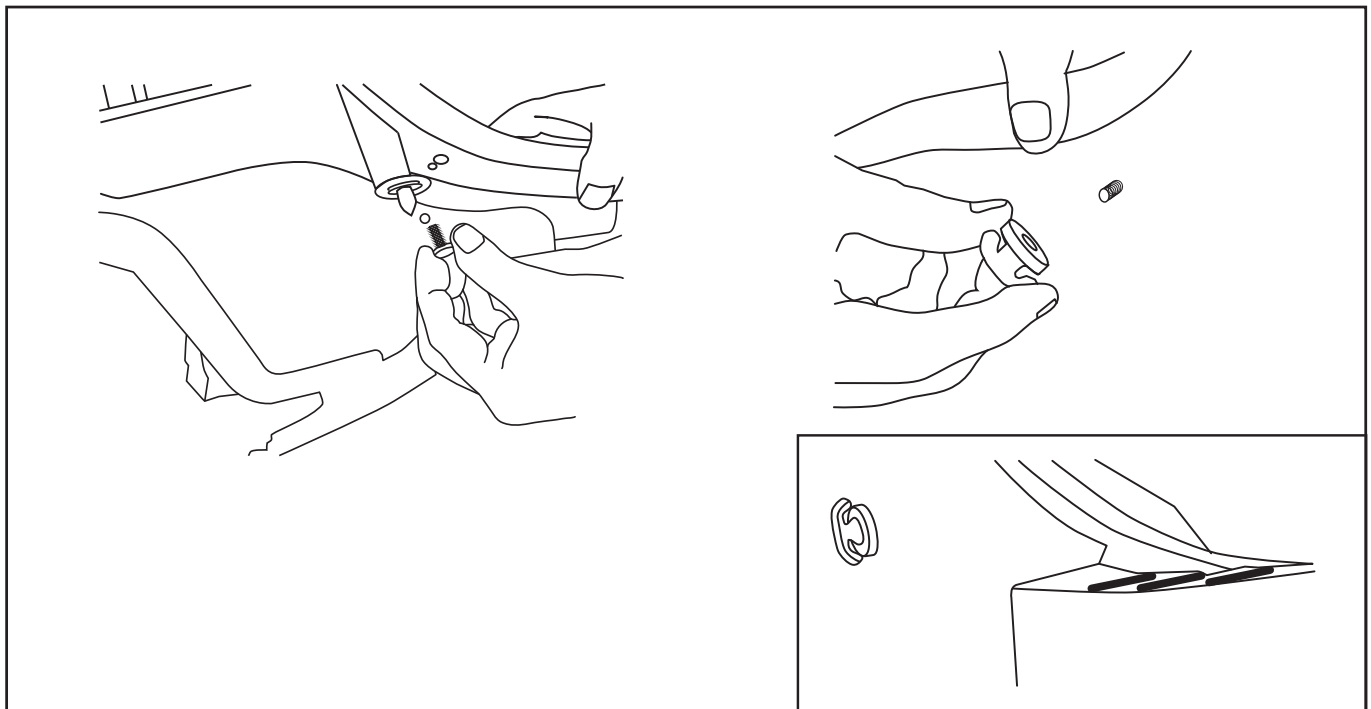


Fig. 15

Fig. 16

## 2 Installing Net - (Cont.)

18. Reinstall both side trunk panels including the push-rivets. Reseat the front edge of the side trunk panels under the rear seat trim panel. Reinstall the rear trunk panel, including the push-rivets. Re-seat the weather-stripping around the trim (Fig. 17).
19. Place the two foam pieces and plastic jack cover back into the trunk (Fig. 18).

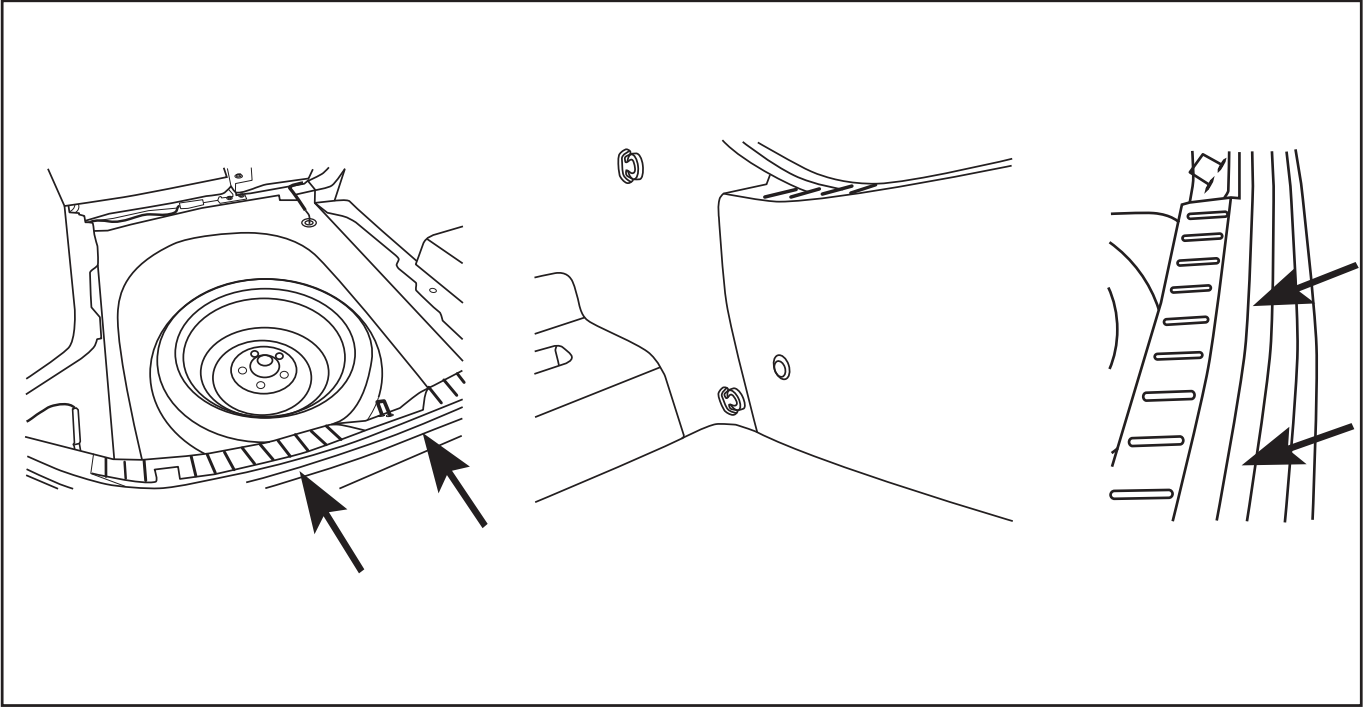


Fig. 17

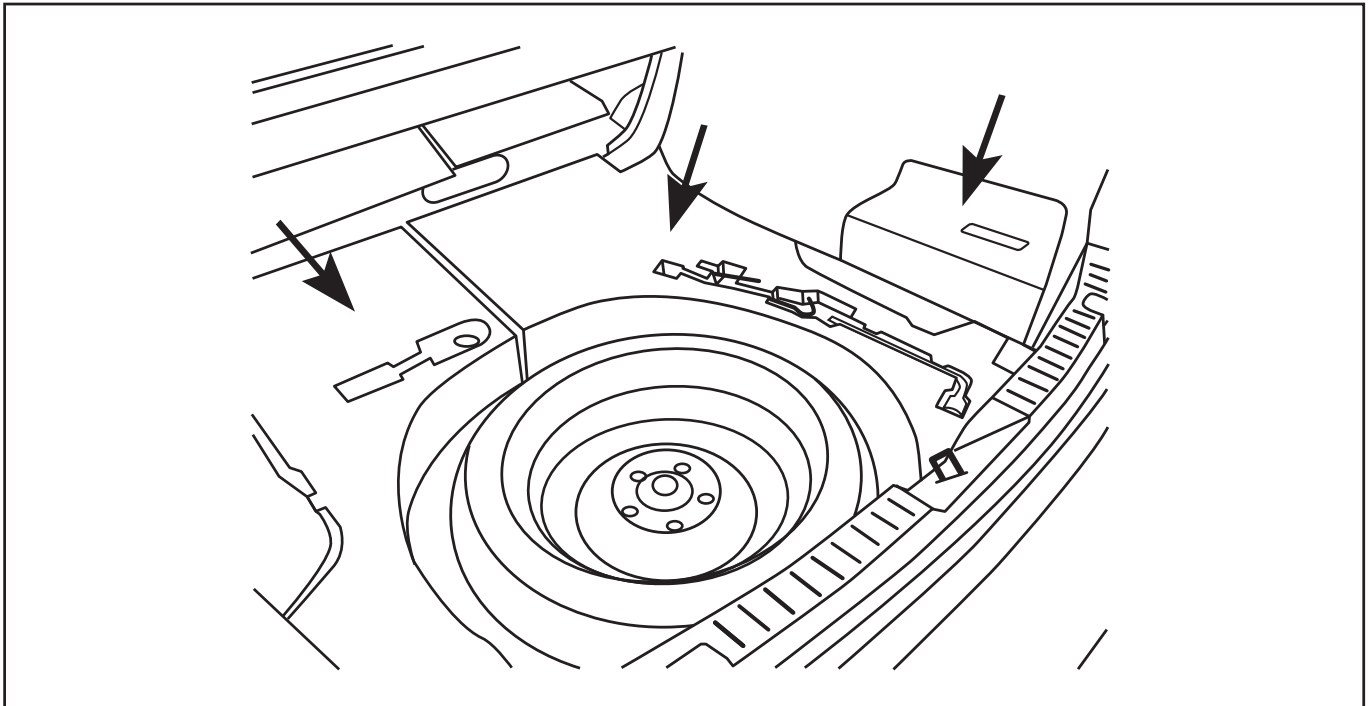


Fig. 18

## 2 Installing Net - (Cont.)

20. Reinstall the load floor (Fig. 19).
21. Mount the cargo net – pull tab should be on the forward side of the net (Fig. 20).

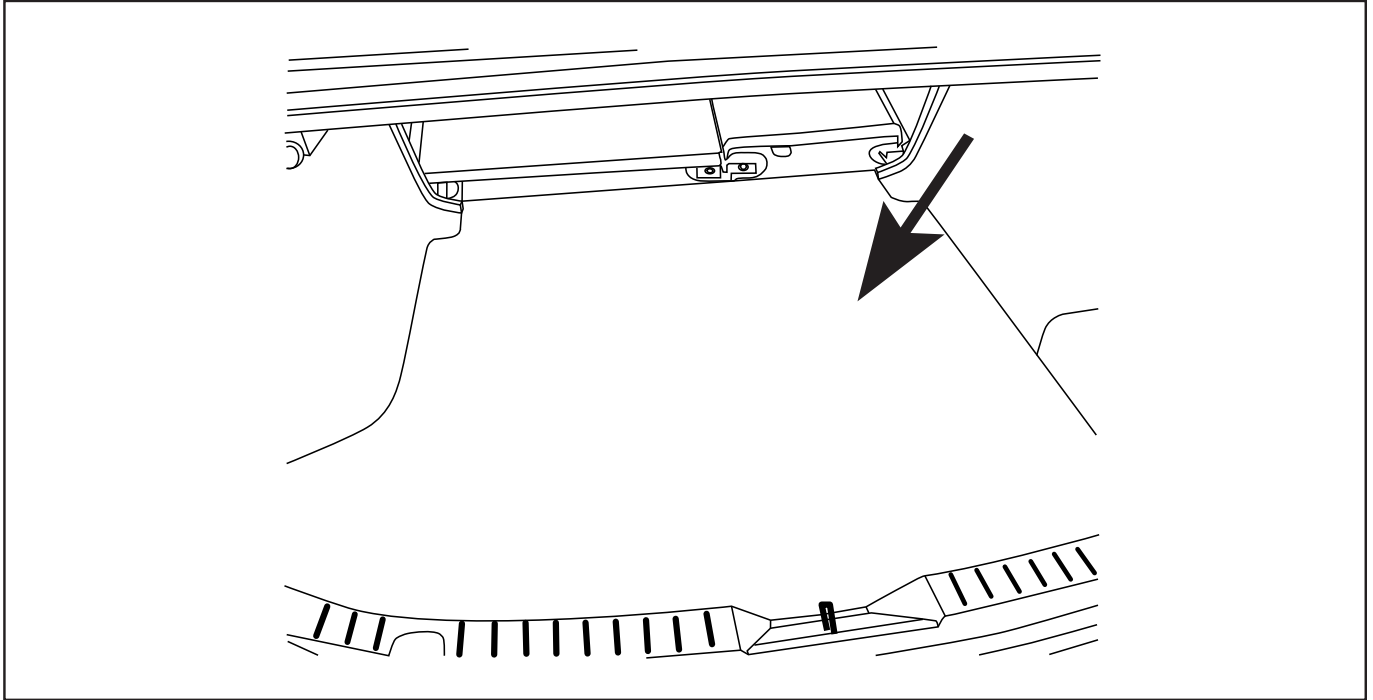


Fig. 19

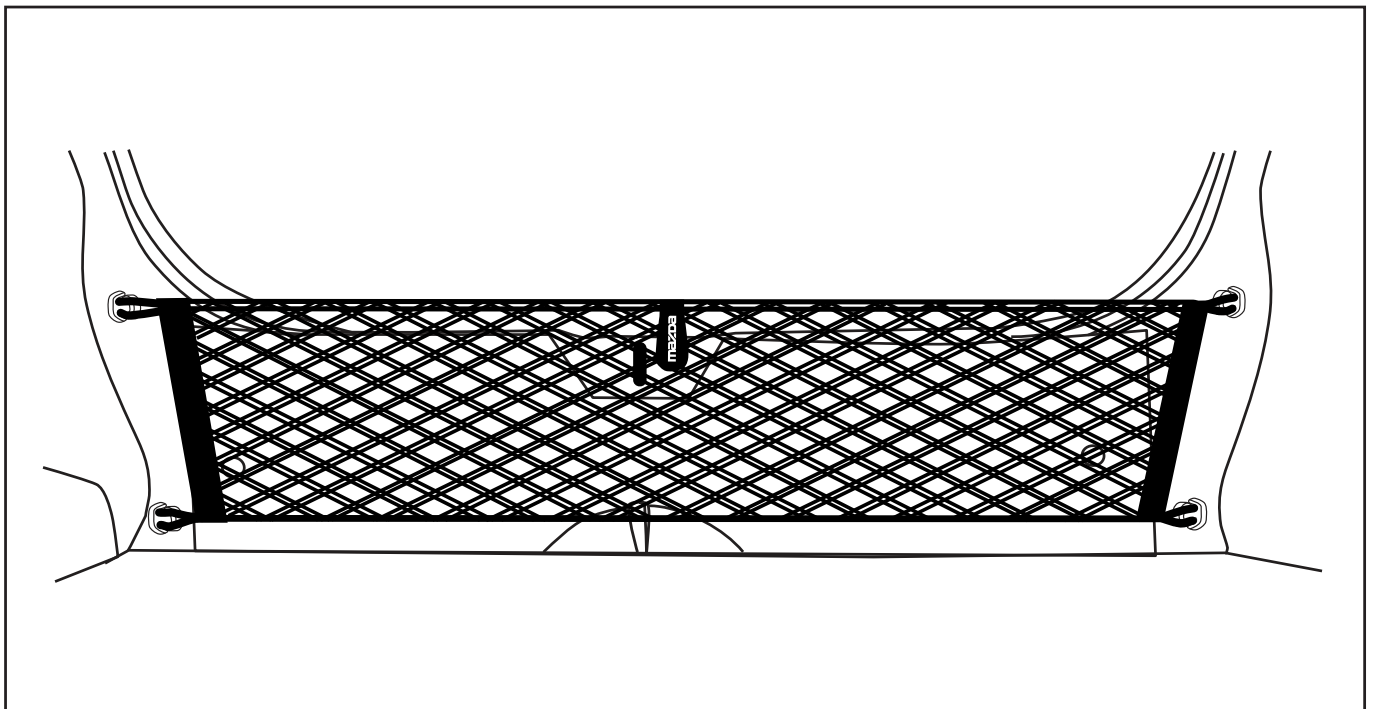


Fig. 20

### 3

#### Use of Net Clips

1. Locate the four hook clips located along the top of the cargo net (Fig.5).
2. Grasp the bungee cord adjacent to the hook clip and wrap two or three fingers around to hold it securely as shown (Fig.6).
3. With the same hand, use your index finger and thumb to hold the hook clip.
4. Grasp the bungee cord with the other hand and slide the cord to fasten it to the clip.  
To unfasten, pull the bungee cord away out of the clip.

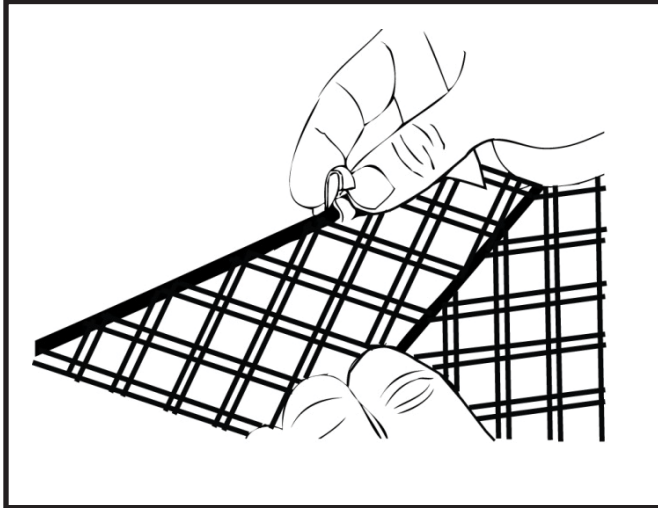


Fig. 5

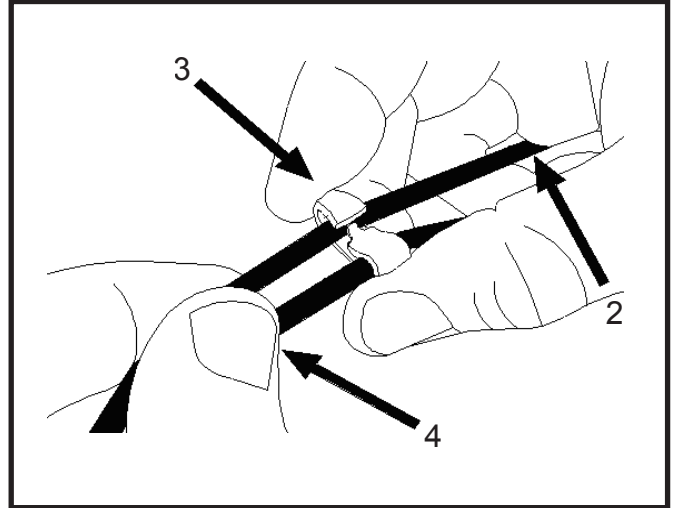


Fig. 6

### 4

#### Cleaning and Care

1. Hand wash using mild soap and warm water.
2. Do not machine wash.



**WARNING: OBJECT(S) RESTRAINED NOT TO EXCEED 30 lbs. (13.6 kg)**

# CARGO NET INSPECTION SHEET

- Inspect the installed/reinstalled parts for the following items.
- Inspection parts differ depending on the vehicle body style.

## MAZDA3 5HB

Inspection Parts	Inspection Items (●)			
	Clearance/Fit	Scratches/Debris	Installation/Tightening/Engagement	Operation Check
Luggage Tie Down Hook	●	●	●	●
Cargo Net	●		●	●
Net Clips			●	●
Trunk Sill Plate	●	●	●	

## MAZDA3 4SD

Inspection Parts	Inspection Items (●)			
	Clearance/Fit	Scratches/Debris	Installation/Tightening/Engagement	Operation Check
Trunk Floor	●	●	●	
Trunk Sill Plate	●	●	●	
Left Side Trunk Trim	●	●	●	
Right Side Trunk Trim	●	●	●	
T-Anchors	●	●	●	●
Cargo Net	●		●	●
Net Clips			●	●

● = Applicable

Date				
Vehicle.				
VIN.				
Approved		Checked		Person in charge