

# GENUINE CARGO STORAGE SHELF

## INSTALLATION AND USER'S INSTRUCTIONS

Thank you for purchasing a genuine Mazda accessory.  
Before removal and installation, be sure to thoroughly read these instructions.  
Please read the contents of this booklet in order to properly install and use the cargo storage shelf. Your safety depends on it.  
Keep these instructions with your vehicle records for future reference.

### WARNING

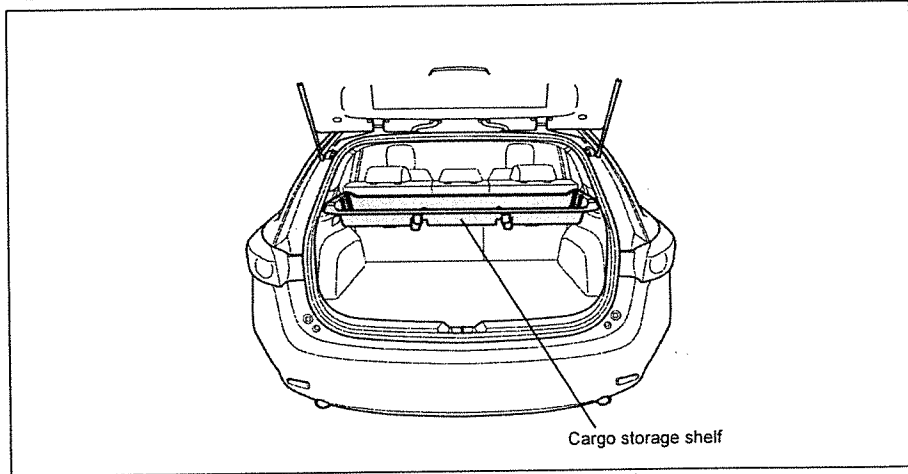
- There are several **⚠WARNING** and **⚠CAUTION** sections in this booklet concerning safety when installing or removing the cargo storage shelf. Always read and follow them in order to prevent injuries, accidents, and possible damage to the vehicle.  
**⚠WARNING:** Indicates a situation in which serious injury or death could result if the warning is ignored.  
**⚠ CAUTION:** Indicates a situation in which bodily injury or damage to the vehicle could result if the caution is ignored.
- For areas indicating the tightening torque in this instruction manual, tighten to the specified torque using a torque wrench. For areas in which the tightening torque is indicated inside parentheses ( ), the tightening torque is indicated as a reference value, however tightening using a torque wrench is not necessary.
- Do not modify the cargo storage shelf.
- Do not install the cargo storage shelf in any way other than described in the following instructions.
- If in any doubt, please ask your Mazda dealer to install the accessory in order to prevent errors in installation.
- If you have any questions about the use of the accessory, ask your Mazda dealer for proper advice before using it.
- Mazda and its suppliers are not responsible for injuries, accidents, and damage to persons and property that arise from the failure of the dealer or installer to follow these instructions.
- To ensure safety and reliability of the work, installation, removal and disposal work must be carried out by an Authorized Mazda Dealership.
- Be careful not to lose removed parts, and be sure that they are kept free from scratches, grease or other dirt.

**PART NAME: CARGO STORAGE SHELF**  
**PART NUMBER: BJE3 V1 300**  
**VEHICLE: MAZDA3 (5HB)**

#### Note

- To the dealer**
  - Please turn over these instructions to the customer after installation.
- To the customer**
  - Keep these instructions after installation. The instructions may be necessary for installing other optional parts or removal of this accessory.
  - Should the vehicle or this accessory be resold, always leave these instructions with it for the next owner.






## 1. INSTALLATION VIEW



## 2. PARTS

### NOTE

- Before installation, verify that the kit includes all the following parts and that they are free of dirt, scratches, or damage.

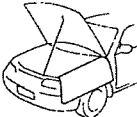

Part	Part name	Qty	Part	Part name	Qty	Part	Part name	Qty
	Cargo storage shelf	1		Velcro (soft, hard)	2 sets		Cushion tape	4
	Primer (3M Promoter 4298)	1		Installation and user's instructions	1			

### 3. BEFORE INSTALLATION

#### REQUIRED TOOLS

- ☆ Soft clean cloth
- ☆ Isopropyl alcohol (IPA)
- ☆ Masking tape

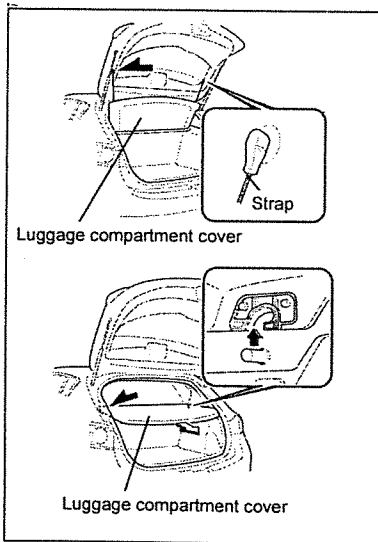
#### ⚠ CAUTION

Be sure to cover the vehicle body with protectors or mats to prevent stains, scratches and damage when removing/installing the vehicle parts	Place the removed parts and kit accessories on a protective sheet to prevent scratches.
	

#### ⚠ WARNING

- Park the vehicle on a flat, level surface, set the selector lever to P (AT vehicles) or the shift lever to 1st or R (MT vehicles), apply the parking brake and block the wheels so that the vehicle does not move during installation.

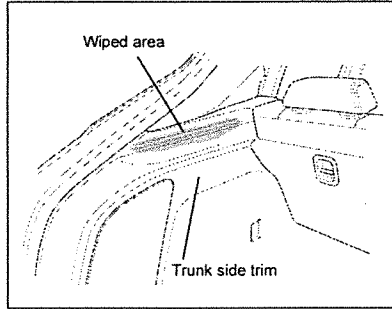
### 4. PART REMOVAL



#### Luggage compartment cover removal

1. Unfasten the straps, then lift and pull the luggage compartment cover out.

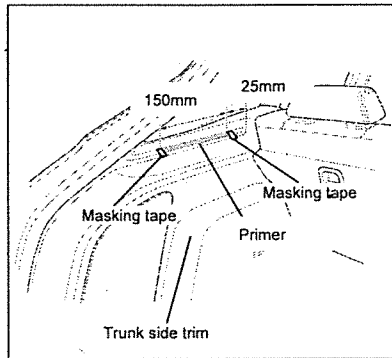
## 5. CARGO STORAGE SHELF INSTALLATION



1. Make sure the installation surfaces of the velcro on the trunk side trim are thoroughly wiped clean using a soft cloth dampened with isopropyl alcohol (IPA).

### NOTE

- The figure shows the left side, however, perform the same procedure for the right side.



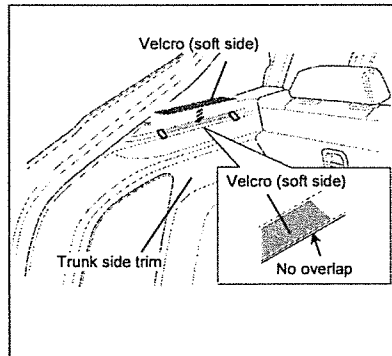
2. Mask the trunk side trim, and then apply primer.

### CAUTION

- If primer adheres to an area other than primer applicable areas, it could become discolored. Always apply primer carefully.
- After applying primer, wait for at least 10 min.

### NOTE

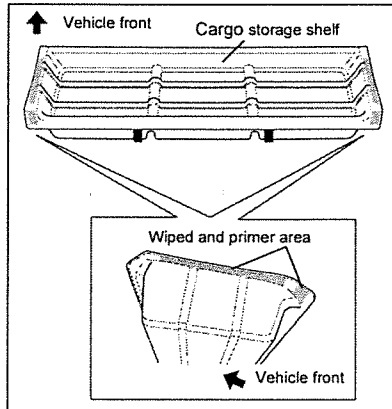
- The figure shows the left side, however, perform the same procedure for the right side.



3. Peel off the backing from the Velcro (soft side) and adhere it so that it does not overlap the corner.
4. Remove the masking tape.

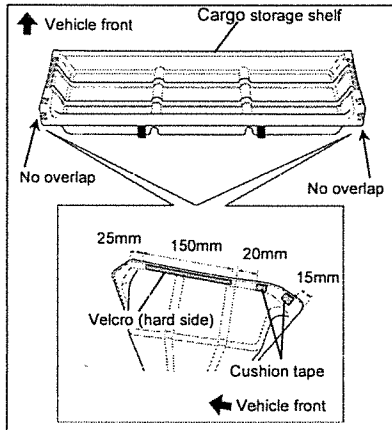
### NOTE

- The figure shows the left side, however, perform the same procedure for the right side.

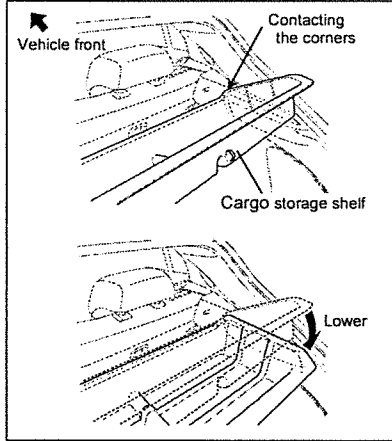


5. Make sure the installation surfaces of the Velcro (hard side), cushion tape on the ribbed underside of the cargo storage shelf are thoroughly wiped clean using a soft cloth dampened with isopropyl alcohol (IPA), and then apply primer.

- CAUTION**
- If primer adheres to an area other than primer applicable areas, it could become discolored. Always apply primer carefully.
  - After applying primer, wait for at least 10 min.



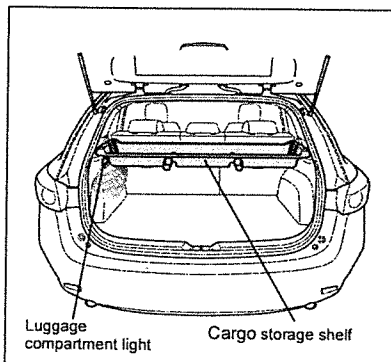
6. Peel off the backings of the Velcro (hard side) and the cushion tape, and affix them along edge line to the ribbed underside of the cargo storage shelf.



7. Lower the cargo storage shelf with the front part contacting the corners of the trunk side trim, affix the cargo storage shelf and trunk side trim Velcro.

8. Install the luggage compartment cover in the reverse order of its removal.

## 6. VERIFICATION ITEMS AND CAUTIONS FOR HANDING



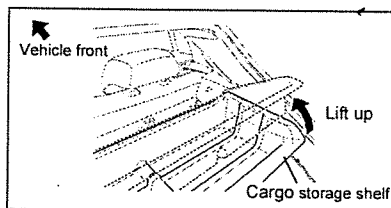
### ⚠ CAUTION

- The maximum load capacity is 5 kg (15 lb). Do not overload.
- Use a mild detergent in lukewarm or diluted water to remove soiling.
- Never use organic solvents such as benzene or thinner.

### NOTE

- With the cargo storage shelf installed, the illumination range of the luggage compartment light is reduced.

## 7. REMOVAL/REINSTALLATION PROCEDURE

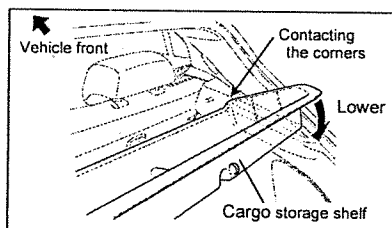


### REMOVAL

1. Unload all goods from the cargo storage shelf.
2. Lift up the cargo storage shelf while detaching the Velcro and remove the cargo storage shelf.

### ⚠ CAUTION

- If the cargo storage shelf is not in use, store it in a flat place after washing and drying it. When storing the cargo storage shelf, do not place heavy objects on it.

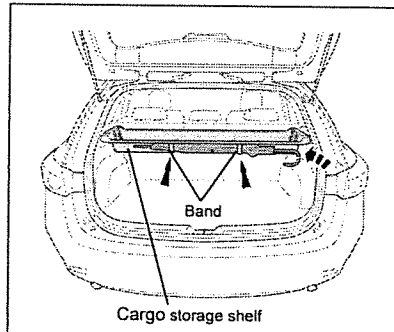


### INSTALLATION

1. Lower the cargo storage shelf with the front part contacting the corners of the trunk side trim, affix the cargo storage shelf and trunk side trim Velcro.

### ⚠ CAUTION

- Verify that the cargo storage shelf is not out of position in the trunk side trim.



- An umbrella can be stored on the cargo storage shelf using the installed bands.