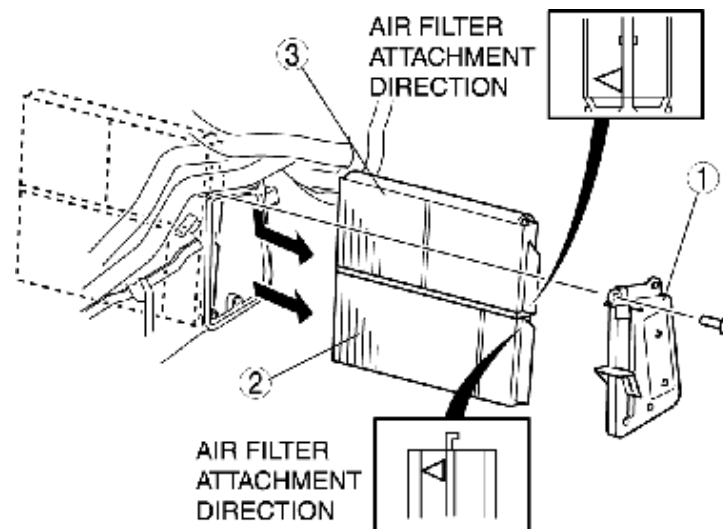


[< Previous](#) [Next >](#)

2006 - Mazda3 - Workshop Manual - HVAC

CABIN AIR FILTER REMOVAL/INSTALLATION

1. Disconnect the negative battery cable.
2. Remove the PJB and PJB bracket. (See [PASSENGER JUNCTION BOX \(PJB\) REMOVAL/INSTALLATION.](#))
3. Remove the side wall.
4. Remove in the order indicated in the table.



1	Cabin air filter cover
2	Cabin air filter (1)
3	Cabin air filter (2)

5. Install in the reverse order of removal.

[< Previous](#) [Next >](#)

[Back to Top](#)

© 2009 Mazda North American Operations, U.S.A.