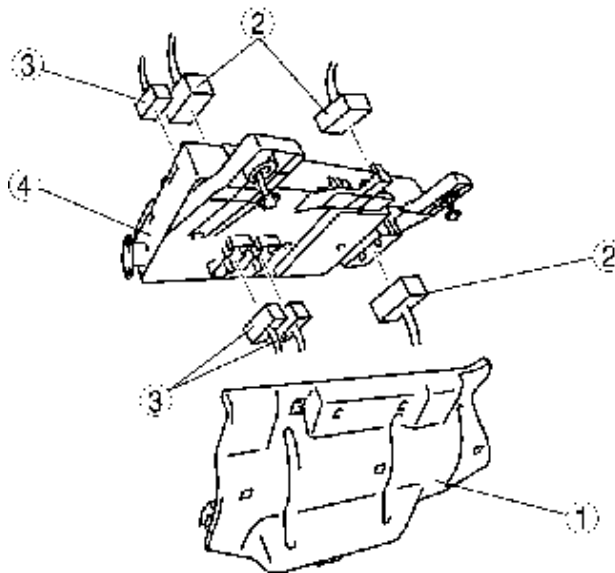


< Previous Next >

2006 - MAZDA3 - Workshop Manual - Body Accessories

PASSENGER JUNCTION BOX (PJB) REMOVAL/INSTALLATION

1. When replacing the PJB, perform the following:
 - PJB configuration (See **PASSENGER JUNCTION BOX (PJB) CONFIGURATION.**)
2. Disconnect the negative battery cable.
3. Remove in the order indicated in the table.

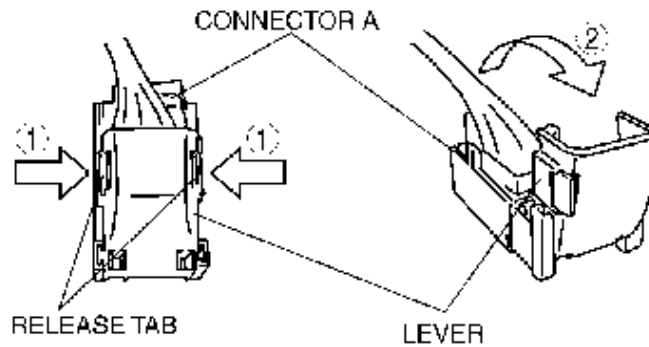


1	Cover
2	Connector A (See Connector A Removal Note.) (See Connector A Installation Note.)
3	Connector B (See Connector B Removal Note.) (See Connector B Installation Note.)
4	PJB (See PJB Removal Note.)

4. Install in the reverse order of removal.

Connector A Removal Note

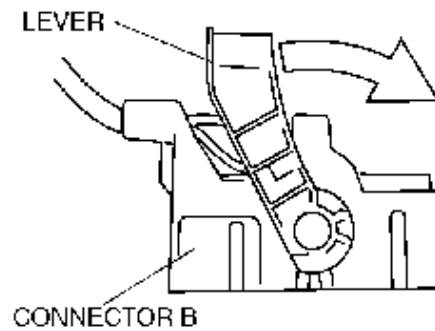
1. Push the release tab in the direction of the arrow.



2. Rotate the lever in the direction of the arrow and remove connector A.

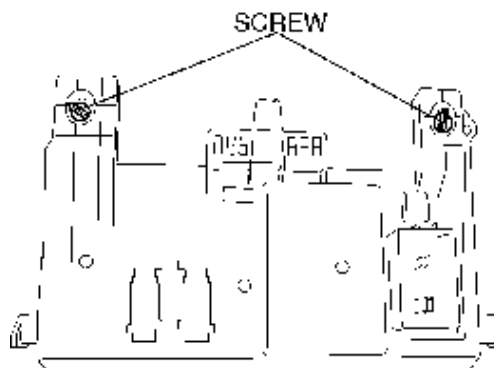
Connector B Removal Note

1. Rotate the lever in the direction of the arrow and remove connector B.



PJB Removal Note

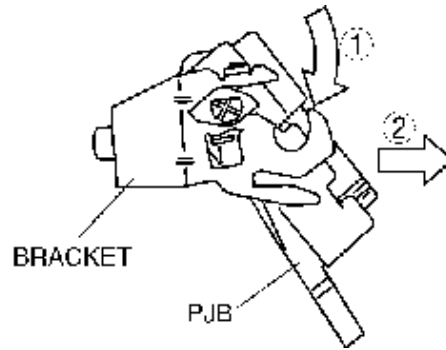
1. Turn the screws counterclockwise to remove the PJB.



NOTE:

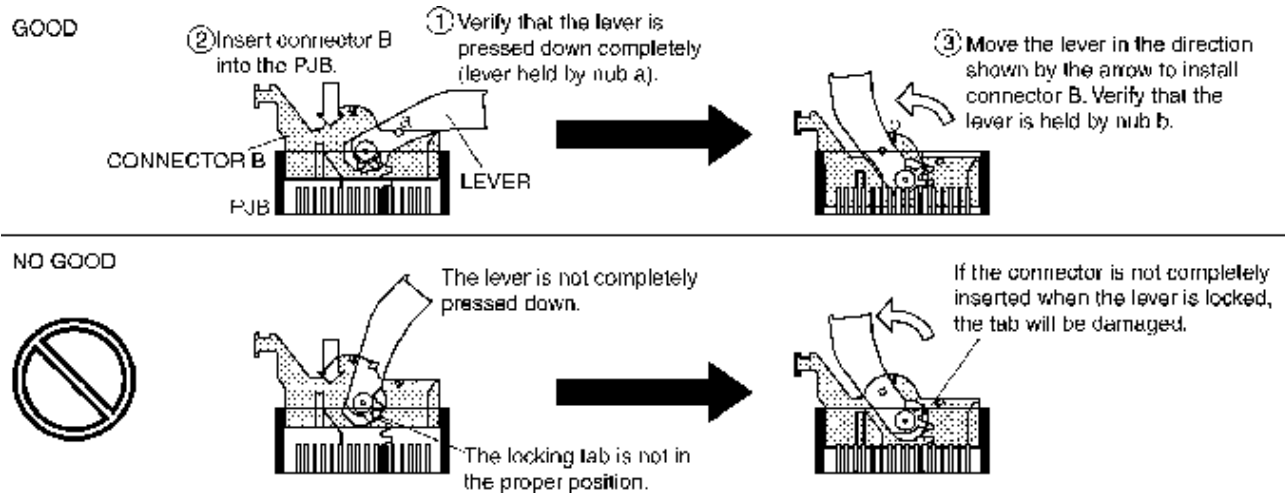
- Screws cannot be removed from the PJB.

2. Remove the PJB as shown in the figure.



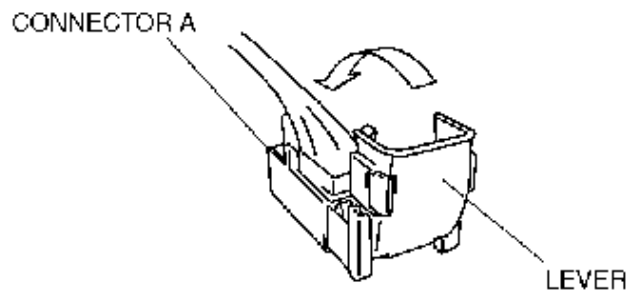
Connector B Installation Note

1. Install the connector B as shown in the figure.



Connector A Installation Note

1. After connecting the connector, rotate the lever in the direction of the arrow to install connector A.





[< Previous](#) [Next >](#)

[Back to Top](#)

© 2010 Mazda North American Operations, U.S.A.