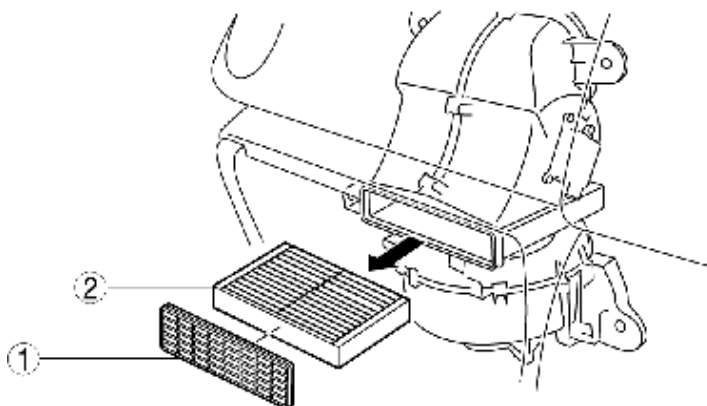


[< Previous](#) [Next >](#)

2009 - Mazda6 - HVAC

AIR FILTER REMOVAL/INSTALLATION

1. Remove the glove compartment. (See [GLOVE COMPARTMENT REMOVAL/INSTALLATION](#).)
2. Remove in the order indicated in the table.



1	Air filter cover
2	Air filter

3. Install in the reverse order of removal.

[< Previous](#) [Next >](#)

[Back to Top](#)

© 2009 Mazda North American Operations, U.S.A.