

GENUINE REAR SPOILER

INSTALLATION AND USER'S INSTRUCTIONS

Thank you for purchasing a Genuine Mazda Accessory.

Before removal and installation, Please thoroughly read these instructions.

For your safety, please read the contents of this booklet to properly install and use the rear spoiler.

Keep these instructions with your vehicle records for future reference.



- There are several **⚠WARNING** and **⚠CAUTION** sections in this booklet concerning safety when installing or removing the rear spoiler. Always read and follow the instructions in order to prevent injuries, accidents, and possible damage to the vehicle.

⚠ WARNING: Indicates a situation in which serious injury or death could result if the warning is ignored.

⚠ CAUTION: Indicates a situation in which bodily injury or damage to the vehicle could result if the caution is ignored.

- For areas indicating the tightening torque in this instruction manual, tighten to the specified torque by using a torque wrench. For areas in which the tightening torque is indicated inside parentheses (), the tightening torque is indicated as a reference value, however tightening using a torque wrench is not necessary
- Do not modify the rear spoiler.
- Do not install the rear spoiler in any way other than described in the following instructions.
- If in doubt, please contact your Mazda dealer to install the accessory in order to prevent errors in installation.
- If you have any questions about the use of the accessory, ask your Mazda dealer for proper advice before using it.
- Mazda and its suppliers are not responsible for injuries, accidents, and damage to persons and property that arise from the failure of the dealer or installer to follow these instructions.
- To ensure safety and reliability of the work, installation, removal and disposal work must be carried out by an Authorized Mazda Dealership.
- Be careful not to lose removed parts, and be sure that they are kept free of dirt, scratches, or damage.

PART NAME: REAR SPOILER

PART NUMBER: QNDN 51 960 / QNDE 51 960

VEHICLE: MAZDA MX-5

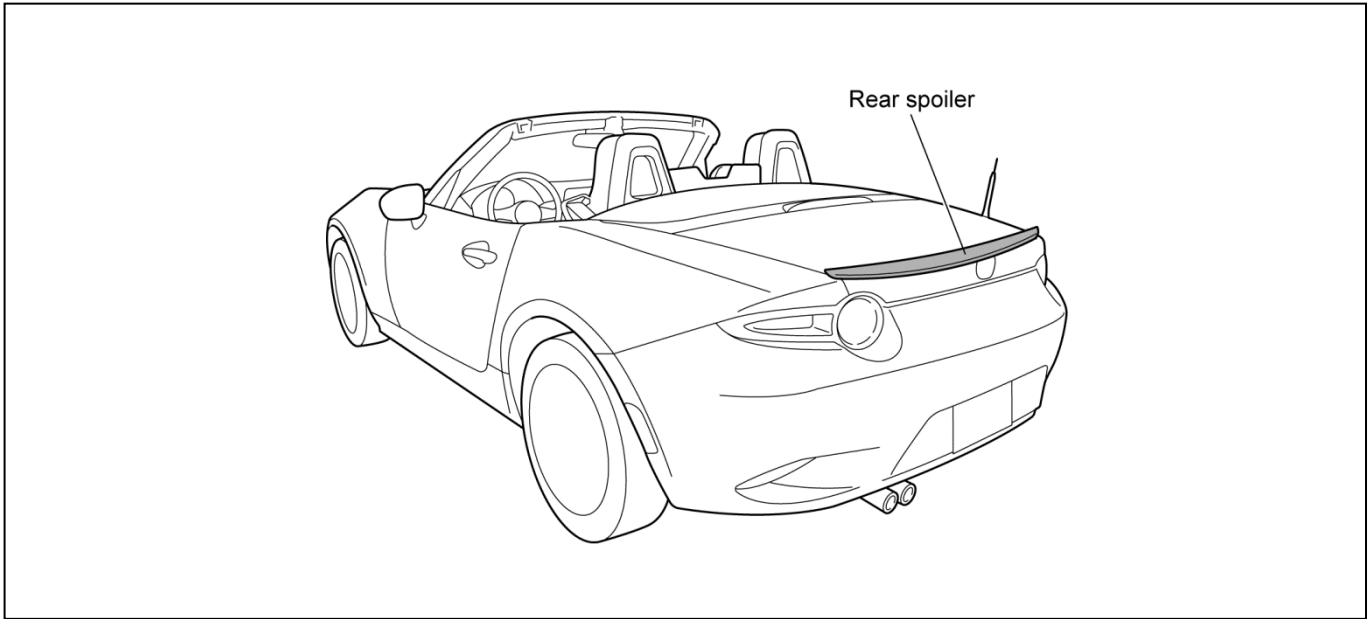
To the dealer

- Please turn over these instructions to the customer after installation.

To the customer

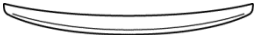
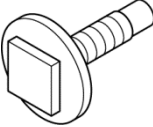
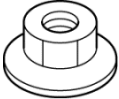
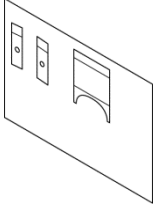

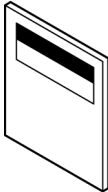
- Keep these instructions after installation. The instructions may be necessary for installing other optional parts or removal of this accessory.
- Should the vehicle or this accessory be resold, Always transfer these instructions to the next owner.

1. INSTALLATION VIEW



2. PARTS

- Before installation, verify that the kit includes all the following parts and that they are free of dirt, scratches, or damage.

Part	Part name	Qty	Part	Part name	Qty
	Rear spoiler	1		Bolt	2
	Flange nut	2		Template	1
	Rubber stopper	2		Installation manual	1

3. BEFORE INSTALLATION

■ REQUIRED TOOLS

☆Drill (ϕ 3 mm, ϕ 6 mm, ϕ 10 mm bits)

☆File

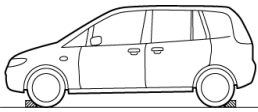
☆Punch

☆Scissors

☆Ratchet wrench (10mm)

⚠ WARNING

Park the vehicle on a flat, level surface, set the selector lever to P (AT vehicles) or the shift lever to 1st or R (MT vehicles), apply the parking brake and block the wheels so that the vehicle does not move during installation.



⚠ CAUTION

<p>Be sure to cover the vehicle body with protectors or mats to prevent stains, scratches and damage when removing/installing the vehicle parts</p>	<p>Using improper tools may cause damage and or broken parts. Use the correct tool for the installation.</p>	<p>When drilling holes in the trunk lid, cover the trunk with a soft cloth or similar to protect the vehicle and to prevent drilling scraps from getting into the trunk.</p>	<p>Put the removed parts and the parts in the kit on the protective sheet to prevent scratches.</p>
<p>【Drilling】 When drilling holes, be sure to wrap the drill bit with adhesive tape or similar to prevent drilling from going too deep.</p>	<p>【Drilling】 When drilling holes, hold the drill bit or hole saw so that it is perpendicular to the drilling surface so that the position of the hole being drilled does not shift.</p>	<p>【Drilling】 After drilling holes, file away any rough edges and burrs until the edges are smooth.</p>	

Advice

Refer to the Workshop Manual for removal and installation of vehicle parts. Not following the procedures for removal/installation in the Workshop Manual could result in an accident or vehicle malfunction.



4. DOUBLE-SIDED TAPE ATTACHMENT

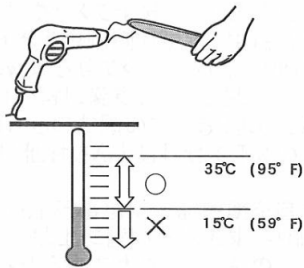
* "Attachment surface" refers to the doors and/or bumper, and "part" refers to supplementary parts.

1. Avoid working in ambient temperatures of less than 15 °C.

The stickiness of the adhesive depends on the softness of the resin, and so the adhesive loses its stickiness and the adhesive strength drops at low temperatures (15 °C or less).

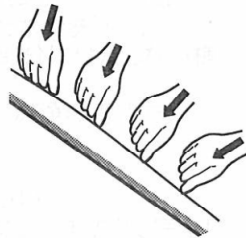
Accordingly, avoid carrying out work in places where the ambient temperature is less than 15 °C.

If working in places where the ambient temperature is less than 15 °C, you should heat the attachment surface and the part until they are warm enough.



2. Attach evenly.

In order to ensure that the adhesive surface of the double-sided tape attaches correctly, it is necessary to press the adhesive surface of the tape against the attachment surface with a uniform force overall. In particular, press down sufficiently on the double-sided tape when the ends of the tape and the attachment surface are curved.

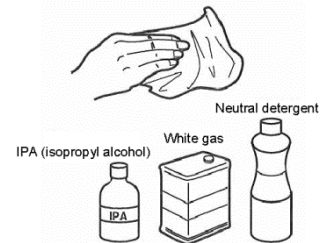


3. Clean the attachment surface.

If there is any dirt, grease or other contamination on the attachment surface, they may become attached to the double-sided tape, causing a drop in the adhesive strength of the double-sided tape.

You should clean the attachment surface before attaching the double-sided tape.

As a general rule, use neutral detergent for interior surfaces, and use IPA (isopropyl alcohol) or white gas for exterior surfaces.

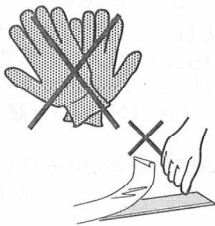


4. Avoid getting the tape dirty.

If you touch the adhesive surface while working, oil from your hands can get onto the adhesive and cause a drop in the adhesive strength of the double-sided tape.

In addition, when working while wearing gloves, fibers and dirt from the gloves may become attached to the adhesive.

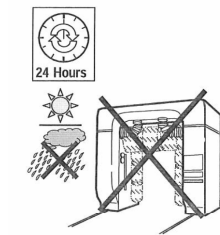
Take care to avoid contaminating the adhesive surface of the double-sided tape.



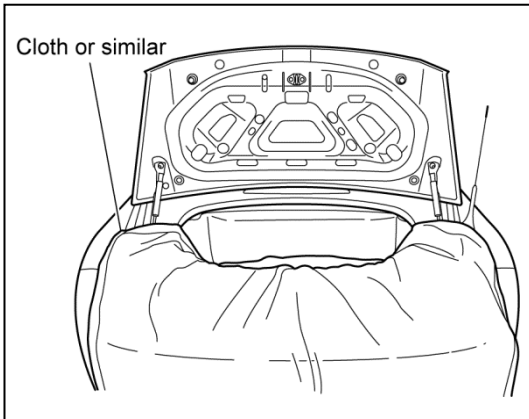
5. Handling after attaching the tape

After the tape has been attached, the adhesive strength will not stabilize until 24 hours have passed, so do not drive or wash the vehicle or leave it exposed to rain for 24 hours.

In addition, never remove and reattach the double-sided tape once the product has been installed, as this will result in a dramatic drop in adhesive strength.

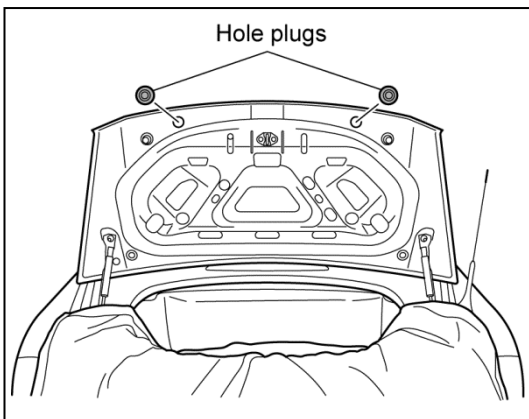


5. REAR SPOILER INSTALLATION



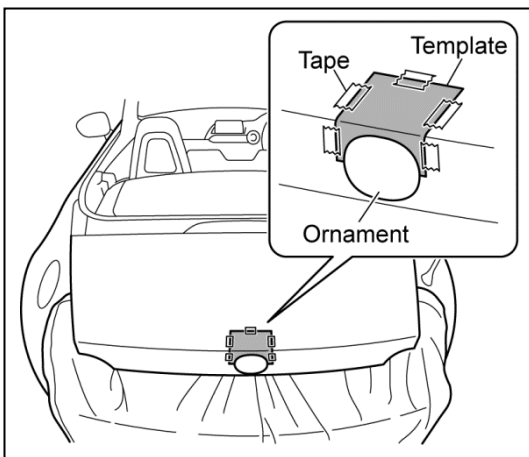
Vehicle protection

1. When drilling holes, cover the whole of the trunk compartment with a cloth or similar to protect the rear combination lamps and to protect drilling scraps from getting into the trunk.



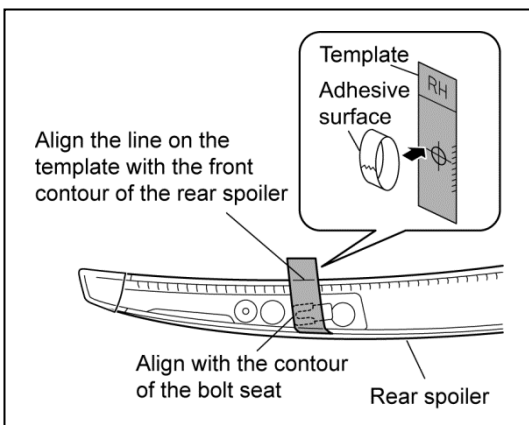
Hole plug removal (RH/LH)

1. Remove the hole plugs.

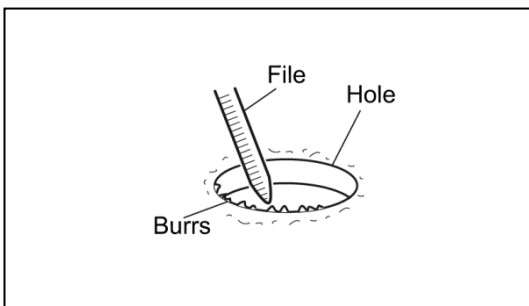
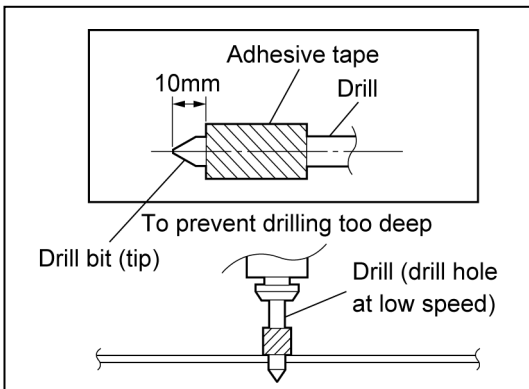
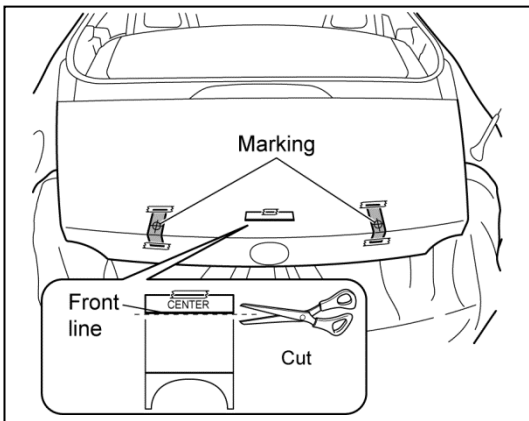
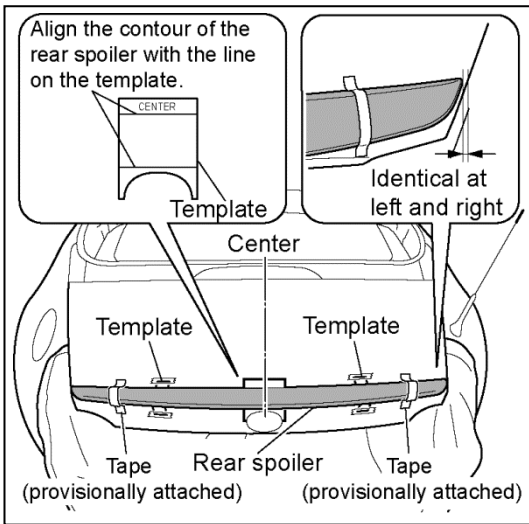


Rear spoiler mounting hole drilling (RH/LH)

1. Use scissors to cut the template.
2. Place the template onto the trunk lid so that it follows the top contour of the ornament, and then secure the template in place using tape.



3. Make a ring from a piece of tape (with the adhesive surface on the outside), and attach it to the template.
4. Attach the template so that it follows the contour of the front of the rear spoiler and the contour of the bolt seat.
5. Attach the template on the opposite side in the same way.



6. Provisionally attach the rear spoiler to the trunk lid with tape using the following as reference.

Vertical reference: Align the contours of the rear spoiler with the lines on the template.

Horizontal reference: Set so that the gaps between the rear spoiler and the trunk lid are identical at both left and right.

7. After positioning the rear spoiler, secure the template to the trunk lid with tape.

8. Remove the rear spoiler, while being careful not to tear the template.

9. Use a punch to make mark at the centers of the ϕ 10 mm diameter holes in the templates. (2 places)

- The trunk lid is made from aluminum, so do not hit it too hard with the punch. The trunk lid may become bent.

10. Cut the center template along the line at the front, while keeping the tape part attached to the trunk lid, and leave the tape part where it is. Remove the rest of the template.

11. Use the drill to drill ϕ 10 mm diameter holes in stages at the locations of the marks.

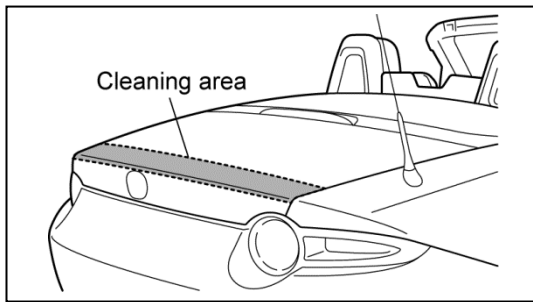
ϕ 3 mm \rightarrow ϕ 6 mm \rightarrow ϕ 10 mm (2 places)

12. After drilling the holes, use a file to fully remove any burrs from the holes.

13. Use IPA or white gas to clean the area, and then apply some anti-rust agent to prevent corrosion.

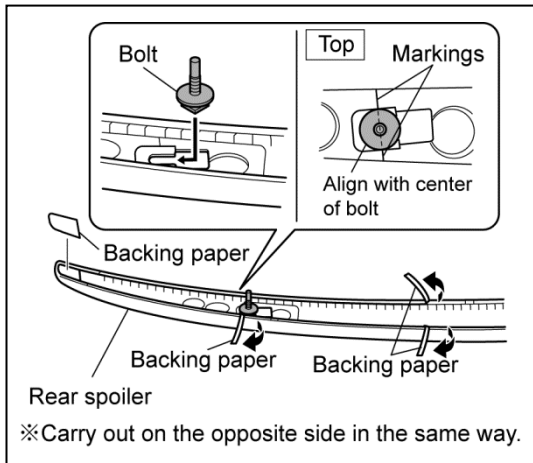
14. Clean away all scraps that were generated when drilling the holes which may have fallen inside the trunk or the vehicle compartment.

15. Remove the cloth which is protecting the vehicle.

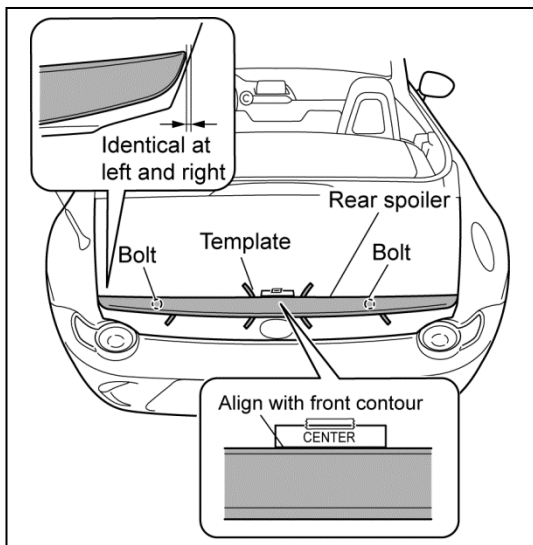


REAR SPOILER INSTALLATION

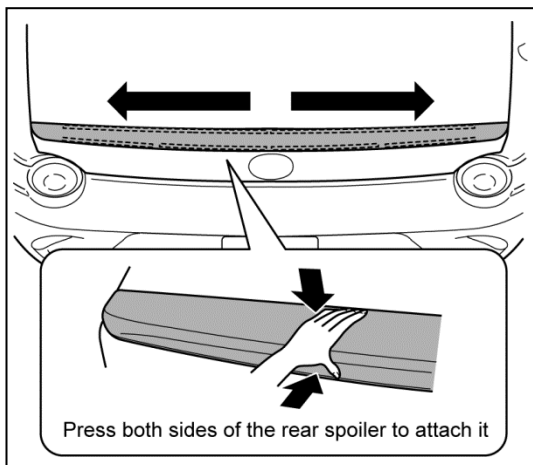
1. Use IPA or white gas to clean off all grease and dirt from the installation location for the rear spoiler.



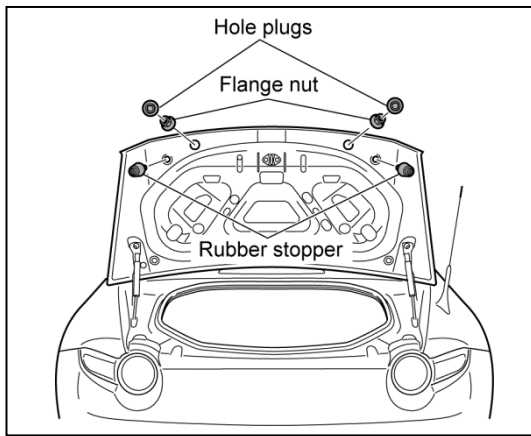
2. Install the bolt to the rear spoiler.
At this time, install the bolt so that its center is aligned with the positions of the markings on the rear spoiler.
3. Remove all of the backing paper at the ends, and peel off the remaining pieces of backing paper to lengths of about 20 to 30 mm and fold them over.



4. Provisionally install the rear spoiler by inserting the rear spoiler bolts into the holes which were drilled.
5. Align the front contour of the rear spoiler with the template remaining on the trunk lid, and adjust the position of the rear spoiler so that the gaps between the left and right ends and the trunk lid are identical.



6. While making sure that the rear spoiler does not move, peel off the template, and then secure the rear spoiler, starting from the middle and working toward the outsides.
7. Push the section with the double-sided tape in the direction of the arrows to securely attach it.
8. Remove the template.



9. Open the trunk lid, and secure the rear spoiler with the flange nuts.

Flange nut tightening torque: (3.9-5.9 N·m)

10. Reinstall the hole plugs.
11. Remove the rubber stoppers, and install the new rubber stoppers which are supplied with the kit.

- The removed rubber stoppers will not be reused.

Cautions on handling

Be sure to observe the following when handling (cleaning) the rear spoiler.

- When the rear spoiler has been installed, the trunk lid may not fully open at low temperatures.
When opening the trunk lid, check whether it has opened properly, and open it fully by hand if necessary.