

# GENUINE ILLUMINATED SCUFF PLATE

## INSTALLATION AND USER'S INSTRUCTIONS



Thank you for purchasing a Genuine Mazda Accessory.


Before removal and installation, please thoroughly read these instructions.


For your safety, please read the contents of this booklet to properly install and use the illuminated scuff plate.

Keep these instructions with your vehicle records for future reference.



- There are several  **WARNING** and  **CAUTION** sections in this booklet concerning safety when installing the scuff plate. Always read and follow the instructions in order to prevent injuries, accidents, and possible damage to the vehicle.

 **WARNING:** Indicates a situation in which serious injury or death could result if the warning is ignored.

 **CAUTION:** Indicates a situation in which bodily injury or damage to the vehicle could result if the caution is ignored.

- Do not modify the illuminated scuff plate.
- Do not install the illuminated scuff plate in any way other than described in the following instructions.
- If in doubt, please contact your Mazda dealer to install the accessory in order to prevent errors in installation.
- If you have any questions about the use of the accessory, ask your Mazda dealer for proper advice before using it.
- Mazda and its suppliers are not responsible for injuries, accidents, and damage to persons and property that arise from the failure of the dealer or installer to follow these instructions.
- To ensure safety and reliability of the work, installation, removal and disposal work must be carried out by an Authorized Mazda Dealership.
- Be careful not to lose removed parts and be sure that they are kept free of dirt, scratches, or damage.

**PART NAME:** Illuminated Scuff Plate  
**PART NUMBERS:** VAS0V1370/VA40V1370  
**VEHICLES:** MAZDA CX-50

### NOTE

#### To the dealer

- Please turn over these instructions to the customer after installation. Keep these instructions after installation. The instructions may be necessary for installing other optional parts or removal of this accessory.
- Should the vehicle or this accessory be resold, always transfer these instructions to the next owner.



# Mazda®

GENUINE ACCESSORIES

## INSTALLATION INSTRUCTIONS

**PART NUMBER:**  
VAS0V1370/VA40V1370

Illuminated Scuff Plate

**APPLICABLE MODELS:**  
2022 MAZDA CX-50

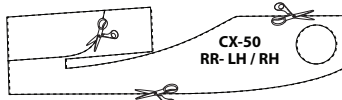
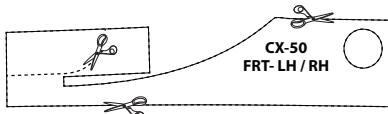
**PACKAGE CONTENTS:**



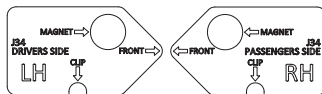
FRONT SCUFF PLATE (Qty 2)



REAR SCUFF PLATE (Qty 2)



SCUFF PLATE LOCATING  
TEMPLATES (Qty 2)



MAGNET LOCATING TEMPLATE (Qty 2)



BATTERY (Qty 2)



MAGNET (Qty 2)



MAGNET TAPE (Qty 2)



ALCOHOL PAD (Qty 4)

**TOOLS REQUIRED:**



LINT FREE CLOTH



MASKING TAPE



SCISSORS



**CAUTION:** Failure to install this part correctly could result in damage to the vehicle and/or injury to the customer. Make sure to follow the instructions properly to ensure a good installation. Read the entire installation instructions before proceeding.

### 1. Prepare Vehicle

- A. Vehicle and scuff plate should be at 13 degrees Celcius - 32 degrees Celsius (55 degrees Fahrenheit - 90 degrees Fahrenheit) for best results.
- B. Clean all dirt or other contaminants from surface.

### 2. Install Batteries

- A. Identify the battery covers located on the underside of the Illuminated Scuff Plates. The battery covers are labeled CR 2430.
- B. Remove battery covers.
- C. Install batteries from hardware kit as shown. Make sure the battery is installed with the positive side placed up as shown.
- D. Make sure o-ring is properly located and replace the battery covers.

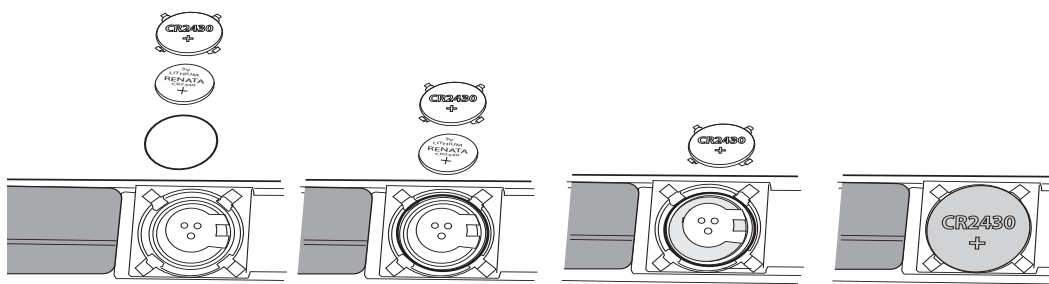


Figure 1

### 3. Remove weather strip

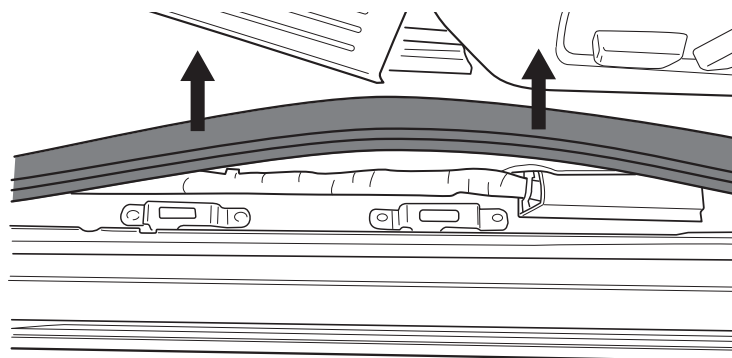


Figure 2

### 4. Cut Templates:

- A. Print the locating templates.  
**NOTE: DO NOT SCALE THE PRINT. TEMPLATES MUST BE PRINTED AT 1:1 SIZE.**
- B. Use scissors to cut out the templates along the dotted line, including the circle.
- C. Using an alcohol pad, clean the area where the adhesive contacts the sheet metal.

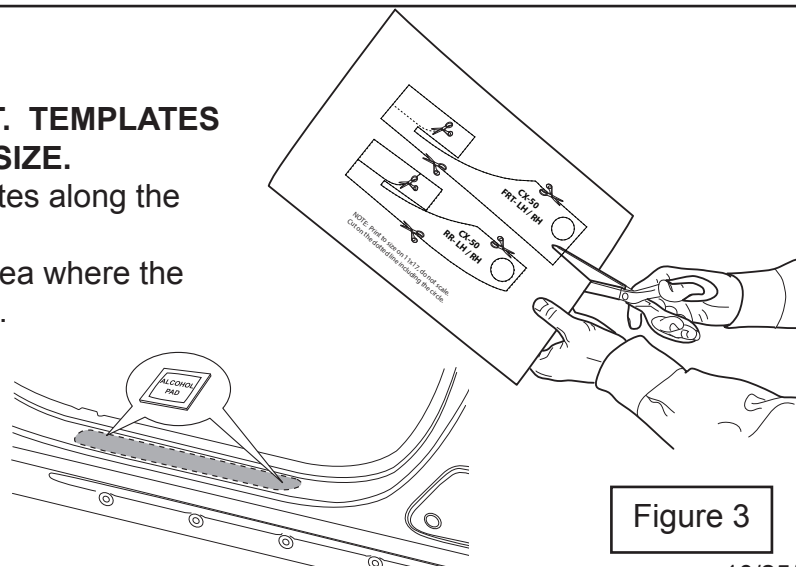


Figure 3

5. Align Templates and Illuminated Scuff Plate:

A. Fold template and position onto door sill as shown. Tape it down.

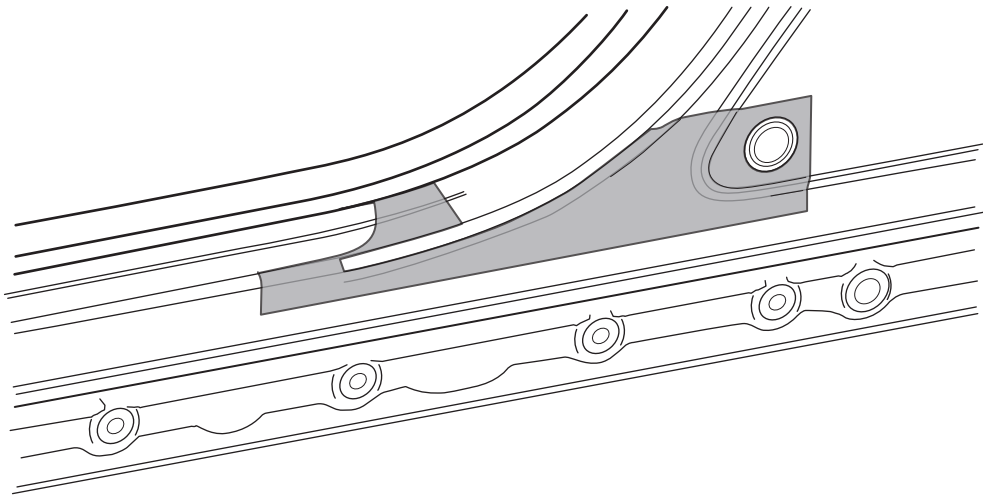


Figure 4

6. Peel the liner from the tape as shown.

A. Position Scuff Plate to the cut template as shown.

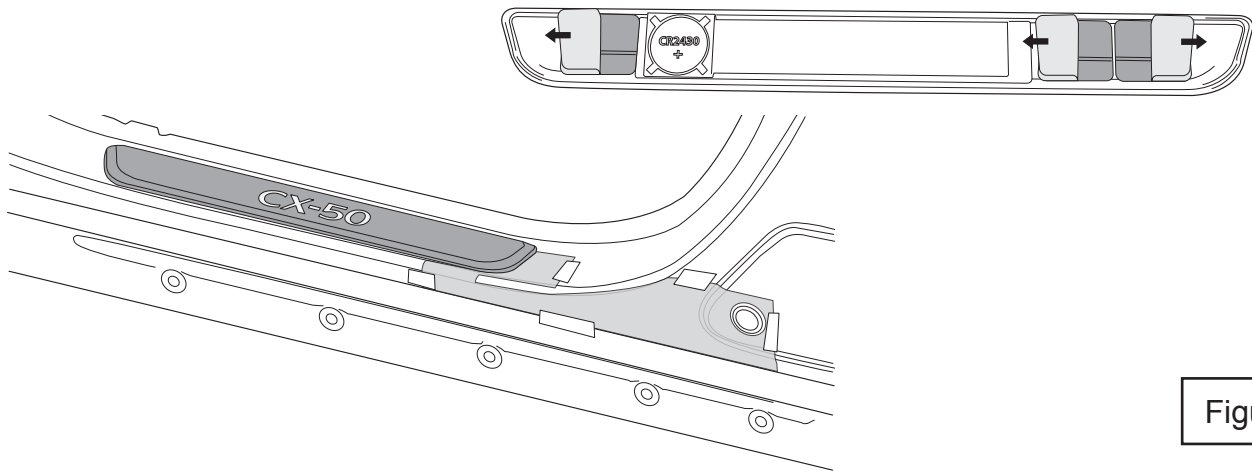


Figure 5

7. Press down on tape pad locations to secure Illuminated Scuff Plate:

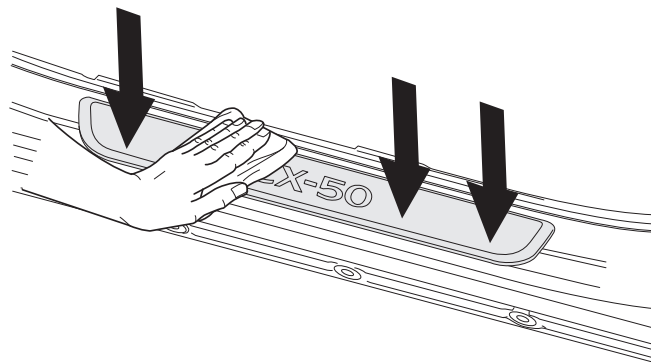


Figure 6

8. Clean the under side of the door where the magnet is to be applied.

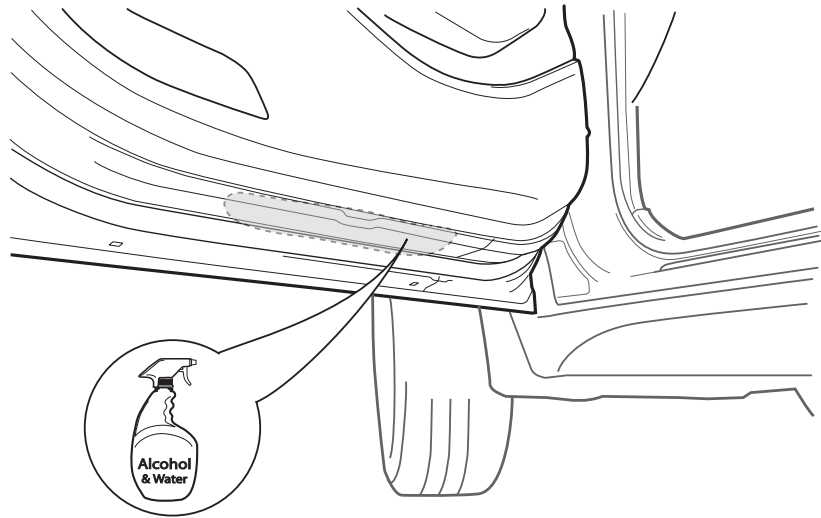


Figure 7

9. There is an orange clip holding the weatherstrip onto the underside of the LH door. The notch in the template goes around this clip ensuring the template is pointing toward the front of the vehicle. The magnet is then placed in the larger hole.

**Note: The RH side will have a Green Clip.**

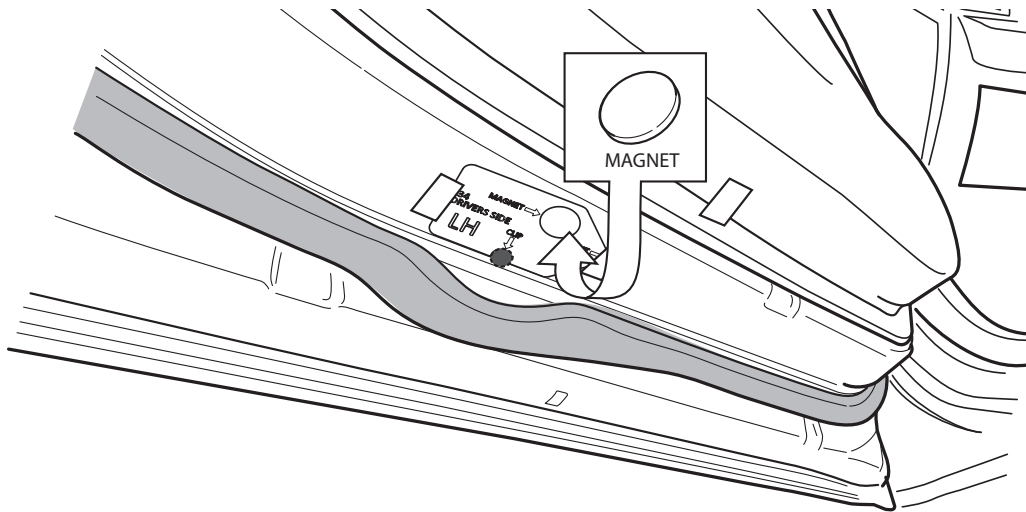


Figure 8

10. Remove the liner from one (1) Magnet Tape.
- A. Position the Magnet Tape over the magnet.
  - B. Press the Magnet Tape firmly to ensure proper adhesion to the door frame.
  - C. Apply pressure around the Magnet to reduce the air pockets in the Magnet Tape.
  - D. Close the driver's door. Open the driver's door, and confirm the Scuff Plate illuminates.
  - E. Repeat steps 2 through 8 for Rear Door and passenger side of vehicle.

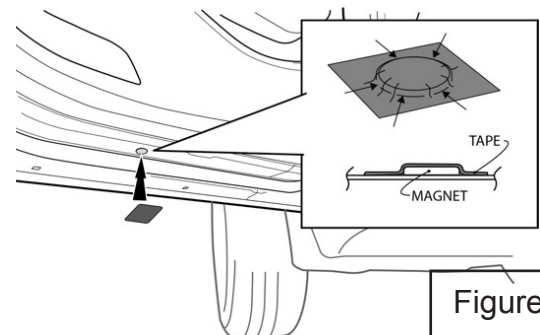


Figure 9

# Installation Inspection Sheet.

[To be used by installation workshop]

Mazda CX-50	Illuminated Scuff Plates
	2022 ≥, All models

Inspect the installed parts per the items listed below

Section to be Inspected	Inspection Item (circle)		
	Gap & Fit	Scratches/stains	Tape residue/fingerprints
Illuminated Scuff Plate	○	○	○

Date		(year/month/day)			
VIN No.					
Approved		Checked		Prepared	

\*Retention period of this sheet: 12 months

10/25/21